
Section 21. UART

HIGHLIGHTS

This section of the manual contains the following major topics:

21.1	Introduction	21-2
21.2	Control Registers	21-3
21.3	UART Baud Rate Generator	21-13
21.4	UART Configuration	21-17
21.5	UART Transmitter	21-18
21.6	UART Receiver	21-21
21.7	Using the UART for 9-Bit Communication	21-24
21.8	Receiving Break Sequence.....	21-26
21.9	Initialization	21-26
21.10	Other Features of the UART	21-27
21.11	Operation of UxCTS and UxRTS Control Pins	21-29
21.12	Infrared Support.....	21-31
21.13	Interrupts	21-34
21.14	I/O Pin Control	21-34
21.15	UART Operation in Power-Saving and Debug Modes	21-35
21.16	Effects of Various Resets	21-37
21.17	Design Tips	21-37
21.18	Related Application Notes.....	21-38
21.19	Revision History	21-39

Note: This family reference manual section is meant to serve as a complement to device data sheets. Depending on the device variant, this manual section may not apply to all PIC32MX devices.

Please consult the note at the beginning of the “**UART**” chapter in the current device data sheet to check whether this document supports the device you are using.

Device data sheets and family reference manual sections are available for download from the Microchip Worldwide Web site at: <http://www.microchip.com>

21.1 INTRODUCTION

The Universal Asynchronous Receiver Transmitter (UART) module is one of the serial I/O modules available in the PIC32MX family of devices. The UART is a full-duplex, asynchronous communication channel that communicates with peripheral devices and personal computers through protocols, such as RS-232, RS-485, LIN 1.2 and IrDA®.

Depending on the device variant, the UART module supports the hardware flow control option, with UxCTS and UxRTS pins, and it may also include the IrDA encoder and decoder. For more information, refer to the specific device data sheet.

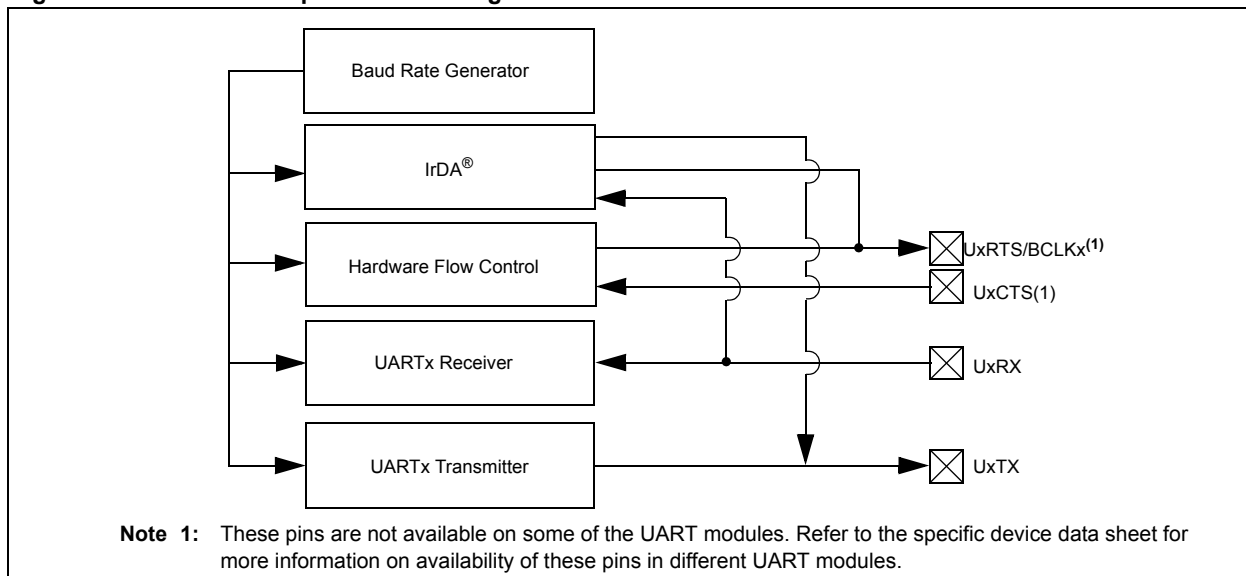
The primary features of the UART module are:

- Full-duplex, 8-bit or 9-bit data transmission
- Even, odd or no parity options (for 8-bit data)
- One or two Stop bits
- Hardware auto-baud feature
- Fully integrated Baud Rate Generator (BRG) with 16-bit prescaler
- Baud rates ranging from 76 bps to 20 Mbps at 80 MHz
- Separate receive and transmit First-In First-Out (FIFO) data buffers
- Parity, framing and buffer overrun error detection
- Support for interrupt only on address detect (9th bit = 1)
- Separate transmit and receive interrupts
- Loopback mode for diagnostic support
- LIN 1.2 protocol support

A simplified block diagram of the UART is illustrated in [Figure 21-1](#). The UART module consists of these important hardware elements:

- Baud Rate Generator
- Asynchronous transmitter
- Asynchronous receiver and IrDA encoder/decoder

Figure 21-1: UART Simplified Block Diagram



21.2 CONTROL REGISTERS

Note: Each PIC32MX family device variant may have one or more UART modules. An 'x' used in the names of pins, control/status bits and registers denotes the particular module. Refer to the specific device data sheets for more details.

Each UART module consists of the following Special Function Registers (SFRs):

- **UxMODE: UARTx Mode Register^(1,2,3)**
- **UxSTA: UARTx Status and Control Register^(1,2,3)**
- **UxTXREG: UARTx Transmit Register**
- **UxRXREG: UARTx Receive Register**
- **UxBRG: UARTx Baud Rate Register^(1,2,3)**

Each UART module also has associated bits for interrupt control (refer to **Section 8. "Interrupts"** (DS61108) for descriptions of these bits):

- UxTXIE: Transmit Interrupt Enable Control Bit
- UxTXIF: Transmit Interrupt Flag Status Bit
- UxRXIE: Receive Interrupt Enable Control Bit
- UxRXIF: Receive Interrupt Flag Status Bit
- UxEIE: Error Interrupt Enable Control Bit
- UxEIF: Error Interrupt Flag Status Bit
- UxIP<2:0>: Interrupt Priority Control Bits
- UxIS<1:0>: Interrupt Subpriority Control Bits

[Table 21-1](#) summarizes all UART-related registers. Corresponding registers appear after the summary, followed by a detailed description of each register bit.

PIC32MX Family Reference Manual

Table 21-1: UART SFRs Summary

Name	Bit	Bit	Bit	Bit	Bit	Bit	Bit	Bit	
	31/23/15/7	30/22/14/6	29/21/13/5	28/20/12/4	27/19/11/3	26/18/10/2	25/17/9/1	24/16/8/0	
UxMODE ^(1,2,3)	31:24	—	—	—	—	—	—	—	
	23:16	—	—	—	—	—	—	—	
	15:8	ON	FRZ	SIDL	IREN	RTSMD ⁽⁴⁾	UEN<1:0> ⁽⁴⁾		
	7:0	WAKE	LPBACK	ABAUD	RXINV	BRGH	PDSEL<1:0>	STSEL	
UxSTA ^(1,2,3)	31:24	—	—	—	—	—	—	ADM_EN	
	23:16	ADDR<7:0>							
	15:8	UTXISEL<1:0>		UTXINV	URXEN	UTXBRK	UTXEN	UTXBF	TRMT
	7:0	URXISEL<1:0>		ADDEN	RIDLE	PERR	FERR	OERR	URXDA
UxTXREG	31:24	—	—	—	—	—	—	—	
	23:16	—	—	—	—	—	—	—	
	15:8	—	—	—	—	—	—	UTX<8>	
	7:0	UTX<7:0>							
UxRXREG	31:24	—	—	—	—	—	—	—	
	23:16	—	—	—	—	—	—	—	
	15:8	—	—	—	—	—	—	RX<8>	
	7:0	RX<7:0>							
UxBRG ^(1,2,3)	31:24	—	—	—	—	—	—	—	
	23:16	—	—	—	—	—	—	—	
	15:8	BRG<15:8>							
	7:0	BRG<7:0>							

- Note 1:** These registers have an associated Clear register at an offset of 0x4 bytes. The Clear register has the same name with CLR appended to the register name (e.g., UxMODECLR). Writing a '1' to any bit position in the Clear register will clear valid bits in the associated register. Reads from the Clear register should be ignored.
- Note 2:** These registers have an associated Set register at an offset of 0x8 bytes. The Set register has the same name with SET appended to the register name (e.g., UxMODESET). Writing a '1' to any bit position in the Set register will set valid bits in the associated register. Reads from the Set register should be ignored.
- Note 3:** These registers have an associated Invert register at an offset of 0xC bytes. The Invert register has the same name with INV appended to the register name (e.g., UxMODEINV). Writing a '1' to any bit position in the Invert register will invert valid bits in the associated register. Reads from the Invert register should be ignored.
- Note 4:** These bits are not available in some of the UART modules. Refer to the specific device data sheet for more information on availability of these bits in different UART modules.

Register 21-1: UxMODE: UARTx Mode Register^(1,2,3)

U-0	U-0	U-0	U-0	U-0	U-0	U-0	U-0
—	—	—	—	—	—	—	—
bit 31						bit 24	
U-0	U-0	U-0	U-0	U-0	U-0	U-0	U-0
—	—	—	—	—	—	—	—
bit 23						bit 16	
R/W-0	R/W-0	R/W-0	R/W-0	R/W-0	U-0	R/W-0	R/W-0
ON	FRZ	SIDL	IREN	RTSMD ⁽⁴⁾	—	UEN<1:0> ⁽⁴⁾	
bit 15						bit 8	
R/W-0	R/W-0	R/W-0	R/W-0	R/W-0	R/W-0	R/W-0	R/W-0
WAKE	LPBACK	ABAUD	RXINV	BRGH	PDSEL<1:0>		STSEL
bit 7						bit 0	

Legend:

R = Readable bit

W = Writable bit

P = Programmable bit

U = Unimplemented bit, read as '0'

-n = Bit Value at POR: ('0', '1', x = Unknown)

bit 31-16 **Unimplemented:** Read as '0'bit 15 **ON:** UARTx Enable bit

- 1 = UARTx is enabled. UARTx pins are controlled by UARTx as defined by UEN<1:0> and UTXEN control bits
- 0 = UARTx is disabled. All UARTx pins are controlled by corresponding bits in the PORTx, TRISx and LATx registers; UARTx power consumption is minimal

Note: When using 1:1 PBCLK divisor, the user software should not read/write the peripheral SFRs in the SYSCLK cycle immediately following the instruction that clears the module's ON bit.

bit 14 **FRZ:** Freeze in Debug Exception Mode bit

- 1 = Freeze operation when CPU is in Debug Exception mode
- 0 = Continue operation when CPU is in Debug Exception mode

Note: FRZ is writable in Debug Exception mode only, it is forced to '0' in Normal mode.

bit 13 **SIDL:** Stop in Idle Mode bit

- 1 = Discontinue operation when device enters Idle mode
- 0 = Continue operation in Idle mode

Note 1: This register has an associated Clear register (UxMODECLR) at an offset of 0x4 bytes. Writing a '1' to any bit position in the Clear register will clear the valid bits in the associated register. Reads from the Clear register should be ignored.

2: This register has an associated Set register (UxMODESET) at an offset of 0x8 bytes. Writing a '1' to any bit position in the Set register will set the valid bits in the associated register. Reads from the Set register should be ignored.

3: This register has an associated Invert register (UxMODEINV) at an offset of 0xC bytes. Writing a '1' to any bit position in the Invert register will invert the valid bits in the associated register. Reads from the Invert register should be ignored.

4: These bits are not available in some of the UART modules. Refer to the specific device data sheet for more information on availability of these bits in different UART modules.

PIC32MX Family Reference Manual

Register 21-1: UxMODE: UARTx Mode Register^(1,2,3) (Continued)

bit 12	IREN: IrDA Encoder and Decoder Enable bit 1 = IrDA is enabled 0 = IrDA is disabled
bit 11	RTSMD: Mode Selection for $\overline{\text{UxRTS}}$ Pin bit ⁽⁴⁾ 1 = $\overline{\text{UxRTS}}$ pin is in Simplex mode 0 = $\overline{\text{UxRTS}}$ pin is in Flow Control mode
bit 10	Unimplemented: Read as '0'
bit 9-8	UEN<1:0>: UARTx Enable bits ⁽⁴⁾ 11 = UxTX, UxRX and UxBCLK pins are enabled and used; $\overline{\text{UxCTS}}$ pin is controlled by corresponding bits in the PORTx register 10 = UxTX, UxRX, $\overline{\text{UxCTS}}$ and $\overline{\text{UxRTS}}$ pins are enabled and used 01 = UxTX, UxRX and $\overline{\text{UxRTS}}$ pins are enabled and used; $\overline{\text{UxCTS}}$ pin is controlled by corresponding bits in the PORTx register 00 = UxTX and UxRX pins are enabled and used; $\overline{\text{UxCTS}}$ and $\overline{\text{UxRTS}}$ /UxBCLK pins are controlled by corresponding bits in the PORTx register
bit 7	WAKE: Enable Wake-up on Start bit Detect During Sleep Mode bit 1 = Wake-up enabled 0 = Wake-up disabled
bit 6	LPBACK: UARTx Loopback Mode Select bit 1 = Loopback mode is enabled 0 = Loopback mode is disabled
bit 5	ABAUD: Auto-Baud Enable bit 1 = Enable baud rate measurement on the next character – requires reception of Sync character (0x55); cleared by hardware upon completion 0 = Baud rate measurement disabled or completed
bit 4	RXINV: Receive Polarity Inversion bit 1 = UxRX Idle state is '0' 0 = UxRX Idle state is '1'
bit 3	BRGH: High Baud Rate Enable bit 1 = High-Speed mode – 4x baud clock enabled 0 = Standard Speed mode – 16x baud clock enabled
bit 2-1	PDSEL<1:0>: Parity and Data Selection bits 11 = 9-bit data, no parity 10 = 8-bit data, odd parity 01 = 8-bit data, even parity 00 = 8-bit data, no parity
bit 0	STSEL: Stop Selection bit 1 = 2 Stop bits 0 = 1 Stop bit

- Note 1:** This register has an associated Clear register (UxMODECLR) at an offset of 0x4 bytes. Writing a '1' to any bit position in the Clear register will clear the valid bits in the associated register. Reads from the Clear register should be ignored.
- 2:** This register has an associated Set register (UxMODESET) at an offset of 0x8 bytes. Writing a '1' to any bit position in the Set register will set the valid bits in the associated register. Reads from the Set register should be ignored.
- 3:** This register has an associated Invert register (UxMODEINV) at an offset of 0xC bytes. Writing a '1' to any bit position in the Invert register will invert the valid bits in the associated register. Reads from the Invert register should be ignored.
- 4:** These bits are not available in some of the UART modules. Refer to the specific device data sheet for more information on availability of these bits in different UART modules.

Register 21-2: UxSTA: UARTx Status and Control Register^(1,2,3)

U-0	U-0	U-0	U-0	U-0	U-0	U-0	R/W-0
—	—	—	—	—	—	—	ADM_EN
bit 31							bit 24
R/W-0	R/W-0	R/W-0	R/W-0	R/W-0	R/W-0	R/W-0	R/W-0
ADDR<7:0>							
bit 23							bit 16
R/W-0	R/W-0	R/W-0	R/W-0	R/W-0	R/W-0	R-0	R-1
UTXISEL<1:0> ⁽⁴⁾		UTXINV	URXEN	UTXBRK	UTXEN	UTXBF	TRMT
bit 15							bit 8
R/W-0	R/W-0	R/W-0	R-1	R-0	R-0	R/W-0	R-0
URXISEL<1:0> ⁽⁴⁾		ADDEN	RIDLE	PERR	FERR	OERR	URXDA
bit 7							bit 0

Legend:

R = Readable bit

W = Writable bit

P = Programmable bit

U = Unimplemented bit, read as '0'

-n = Bit Value at POR: ('0', '1', x = Unknown)

bit 31-25 **Unimplemented:** Read as '0'bit 24 **ADM_EN:** Automatic Address Detect Mode Enable bit

1 = Automatic Address Detect mode is enabled

0 = Automatic Address Detect mode is disabled

bit 23-16 **ADDR<7:0>:** Automatic Address Mask bits

When the ADM_EN bit is '1', this value defines the address character to use for automatic address detection.

bit 15-14 **UTXISEL<1:0>:** TX Interrupt Mode Selection bits⁽⁴⁾For 4-level deep FIFO UART modules:

11 = Reserved, do not use

10 = Interrupt is generated when the transmit buffer becomes empty

01 = Interrupt is generated when all characters have been transmitted

00 = Interrupt is generated when the transmit buffer contains at least one empty space

For 8-level deep FIFO UART modules:

11 = Reserved, do not use

10 = Interrupt is generated and asserted while the transmit buffer is empty

01 = Interrupt is generated and asserted when all characters have been transmitted

00 = Interrupt is generated and asserted while the transmit buffer contains at least one empty space

- Note 1:** This register has an associated Clear register (UxSTACLAR) at an offset of 0x4 bytes. Writing a '1' to any bit position in the Clear register will clear the valid bits in the associated register. Reads from the Clear register should be ignored.
- 2:** This register has an associated Set register (UxSTASET) at an offset of 0x8 bytes. Writing a '1' to any bit position in the Set register will set the valid bits in the associated register. Reads from the Set register should be ignored.
- 3:** This register has an associated Invert register (UxSTAINV) at an offset of 0xC bytes. Writing a '1' to any bit position in the Invert register will invert the valid bits in the associated register. Reads from the Invert register should be ignored.
- 4:** These bits have different functions based on the available UART module. Refer to the specific device data sheet for module availability and interrupt implementation.

PIC32MX Family Reference Manual

Register 21-2: UxSTA: UARTx Status and Control Register^(1,2,3) (Continued)

- bit 13 **UTXINV:** Transmit Polarity Inversion bit
If IrDA mode is disabled (i.e., IREN (UxMODE<12>) is '0'):
1 = UxTX Idle state is '0'
0 = UxTX Idle state is '1'

If IrDA mode is enabled (i.e., IREN (UxMODE<12>) is '1'):
1 = IrDA encoded UxTX Idle state is '1'
0 = IrDA encoded UxTX Idle state is '0'
- bit 12 **URXEN:** Receiver Enable bit
1 = UARTx receiver is enabled. UxRX pin is controlled by UARTx (if ON = 1)
0 = UARTx receiver is disabled. UxRX pin is ignored by the UARTx module. UxRX pin is controlled by port.
- bit 11 **UTXBRK:** Transmit Break bit
1 = Send Break on next transmission. Start bit followed by twelve '0' bits, followed by Stop bit; cleared by hardware upon completion
0 = Break transmission is disabled or completed
- bit 10 **UTXEN:** Transmit Enable bit
1 = UARTx transmitter is enabled. UxTX pin is controlled by UARTx (if ON = 1)
0 = UARTx transmitter is disabled. Any pending transmission is aborted and buffer is reset. UxTX pin is controlled by port.
- bit 9 **UTXBF:** Transmit Buffer Full Status bit (read-only)
1 = Transmit buffer is full
0 = Transmit buffer is not full, at least one more character can be written
- bit 8 **TRMT:** Transmit Shift Register is Empty bit (read-only)
1 = Transmit shift register is empty and transmit buffer is empty (the last transmission has completed)
0 = Transmit shift register is not empty, a transmission is in progress or queued in the transmit buffer
- bit 7-6 **URXISEL<1:0>:** Receive Interrupt Mode Selection bit⁽⁴⁾
For 4-level deep FIFO UART modules:
11 = Interrupt flag bit is set when receive buffer becomes full (i.e., has 4 data characters)
10 = Interrupt flag bit is set when receive buffer becomes 3/4 full (i.e., has 3 data characters)
0x = Interrupt flag bit is set when a character is received

For 8-level deep FIFO UART modules:
11 = Reserved; do not use
10 = Interrupt flag bit is asserted while receive buffer is 3/4 or more full (i.e., has 6 or more data characters)
01 = Interrupt flag bit is asserted while receive buffer is 1/2 or more full (i.e., has 4 or more data characters)
00 = Interrupt flag bit is asserted while receive buffer is not empty (i.e., has at least 1 data character)
- bit 5 **ADDEN:** Address Character Detect bit (bit 8 of received data = 1)
1 = Address Detect mode is enabled. If 9-bit mode is not selected, this control bit has no effect.
0 = Address Detect mode is disabled

- Note 1:** This register has an associated Clear register (UxSTACLRL) at an offset of 0x4 bytes. Writing a '1' to any bit position in the Clear register will clear the valid bits in the associated register. Reads from the Clear register should be ignored.
- 2:** This register has an associated Set register (UxSTASET) at an offset of 0x8 bytes. Writing a '1' to any bit position in the Set register will set the valid bits in the associated register. Reads from the Set register should be ignored.
- 3:** This register has an associated Invert register (UxSTAINV) at an offset of 0xC bytes. Writing a '1' to any bit position in the Invert register will invert the valid bits in the associated register. Reads from the Invert register should be ignored.
- 4:** These bits have different functions based on the available UART module. Refer to the specific device data sheet for module availability and interrupt implementation.

Register 21-2: UxSTA: UARTx Status and Control Register^(1,2,3) (Continued)

bit 4	RIDLE: Receiver Idle bit (read-only) 1 = Receiver is Idle 0 = Data is being received
bit 3	PERR: Parity Error Status bit (read-only) 1 = Parity error has been detected for the current character 0 = Parity error has not been detected
bit 2	FERR: Framing Error Status bit (read-only) 1 = Framing error has been detected for the current character 0 = Framing error has not been detected
bit 1	OERR: Receive Buffer Overrun Error Status bit. This bit is set in hardware and can only be cleared (= 0) in software. Clearing a previously set OERR bit resets the receiver buffer and RSR to empty state. 1 = Receive buffer has overflowed 0 = Receive buffer has not overflowed
bit 0	URXDA: Receive Buffer Data Available bit (read-only) 1 = Receive buffer has data, at least one more character can be read 0 = Receive buffer is empty

- Note 1:** This register has an associated Clear register (UxSTACLAR) at an offset of 0x4 bytes. Writing a '1' to any bit position in the Clear register will clear the valid bits in the associated register. Reads from the Clear register should be ignored.
- 2:** This register has an associated Set register (UxSTASET) at an offset of 0x8 bytes. Writing a '1' to any bit position in the Set register will set the valid bits in the associated register. Reads from the Set register should be ignored.
- 3:** This register has an associated Invert register (UxSTAINV) at an offset of 0xC bytes. Writing a '1' to any bit position in the Invert register will invert the valid bits in the associated register. Reads from the Invert register should be ignored.
- 4:** These bits have different functions based on the available UART module. Refer to the specific device data sheet for module availability and interrupt implementation.

PIC32MX Family Reference Manual

Register 21-3: UxTXREG: UARTx Transmit Register

U-0	U-0	U-0	U-0	U-0	U-0	U-0	U-0
—	—	—	—	—	—	—	—
bit 31							bit 24

U-0	U-0	U-0	U-0	U-0	U-0	U-0	U-0
—	—	—	—	—	—	—	—
bit 23							bit 16

U-0	U-0	U-0	U-0	U-0	U-0	U-0	R/W-0
—	—	—	—	—	—	—	TX<8>
bit 15							bit 8

R/W-0	R/W-0	R/W-0	R/W-0	R/W-0	R/W-0	R/W-0	R/W-0
TX<7:0>							
bit 7							bit 0

Legend:

R = Readable bit W = Writable bit P = Programmable bit

U = Unimplemented bit, read as '0'

-n = Bit Value at POR: ('0', '1', x = Unknown)

bit 31-9 **Unimplemented:** Read as '0'

bit 8-0 **TX<8:0>:** Data bits 8-0 of the character to be transmitted

Register 21-4: UxRXREG: UARTx Receive Register

U-0	U-0	U-0	U-0	U-0	U-0	U-0	U-0
—	—	—	—	—	—	—	—
bit 31							bit 24

U-0	U-0	U-0	U-0	U-0	U-0	U-0	U-0
—	—	—	—	—	—	—	—
bit 23							bit 16

U-0	U-0	U-0	U-0	U-0	U-0	U-0	R-0
—	—	—	—	—	—	—	RX<8>
bit 15							bit 8

R-0	R-0	R-0	R-0	R-0	R-0	R-0	R-0
RX<7:0>							
bit 7							bit 0

Legend:

R = Readable bit

W = Writable bit

P = Programmable bit

U = Unimplemented bit, read as '0'

-n = Bit Value at POR: ('0', '1', x = Unknown)

bit 31-9

Unimplemented: Read as '0'

bit 8-0

RX<8:0>: Data bits 8-0 of the received character

PIC32MX Family Reference Manual

Register 21-5: UxBRG: UARTx Baud Rate Register^(1,2,3)

U-0	U-0	U-0	U-0	U-0	U-0	U-0	U-0
—	—	—	—	—	—	—	—
bit 31						bit 24	

U-0	U-0	U-0	U-0	U-0	U-0	U-0	U-0
—	—	—	—	—	—	—	—
bit 23						bit 16	

R/W-0	R/W-0	R/W-0	R/W-0	R/W-0	R/W-0	R/W-0	R/W-0
BRG<15:8>							
bit 15						bit 8	

R/W-0	R/W-0	R/W-0	R/W-0	R/W-0	R/W-0	R/W-0	R/W-0
BRG<7:0>							
bit 7						bit 0	

Legend:

R = Readable bit W = Writable bit P = Programmable bit
 U = Unimplemented bit, read as '0' -n = Bit Value at POR: ('0', '1', x = Unknown)

bit 31-16 **Unimplemented:** Read as '0'
 bit 15-0 **BRG<15:0>:** Baud Rate Divisor bits

- Note 1:** This register has an associated Clear register (UxBRGCLR) at an offset of 0x4 bytes. Writing a '1' to any bit position in the Clear register will clear the valid bits in the associated register. Reads from the Clear register should be ignored.
- 2:** This register has an associated Set register (UxBRGSET) at an offset of 0x8 bytes. Writing a '1' to any bit position in the Set register will set the valid bits in the associated register. Reads from the Set register should be ignored.
- 3:** This register has an associated Invert register (UxBRGINV) at an offset of 0xC bytes. Writing a '1' to any bit position in the Invert register will invert the valid bits in the associated register. Reads from the Invert register should be ignored.

21.3 UART BAUD RATE GENERATOR

The UART module has a dedicated 16-bit BRG. The UxBRG register controls the period of a free-running 16-bit timer. Equation 21-1 shows the formula for computation of the baud rate with BRGH = 0.

Equation 21-1: UART Baud Rate with BRGH = 0

$$\text{Baud Rate} = \frac{F_{PB}}{16 \cdot (UxBRG + 1)}$$

$$UxBRG = \frac{F_{PB}}{16 \cdot \text{Baud Rate}} - 1$$

Note: F_{PB} denotes the PBCLK frequency.

Example 21-1 shows the calculation of the baud rate error for the following conditions:

- FPB = 4 MHz
- Desired Baud Rate = 9600

Example 21-1: Baud Rate Error Calculation (BRGH = 0)

```

Desired Baud Rate    =  FPB/(16 (UxBRG + 1))

Solving for UxBRG value:

    UxBRG            =  ((FPB/Desired Baud Rate)/16) - 1
    UxBRG            =  ((4000000/9600)/16) - 1
    UxBRG            =  [25.042] = 25
Calculated Baud Rate =  4000000/(16 (25 + 1))
                    =  9615
Error                =  (Calculated Baud Rate - Desired Baud Rate)

Desired Baud Rate    =  (9615 - 9600)/9600
                    =  0.16%
  
```

The maximum possible baud rate (BRGH = 0) is FPB/16 (for UxBRG = 0), and the minimum possible baud rate is FPB/(16 * 65536).

Equation 21-2 shows the formula for computation of the baud rate with BRGH = 1.

Equation 21-2: UART Baud Rate with BRGH = 1

$$\text{Baud Rate} = \frac{F_{PB}}{4 \cdot (UxBRG + 1)}$$

$$UxBRG = \frac{F_{PB}}{4 \cdot \text{Baud Rate}} - 1$$

Note: F_{PB} denotes the PBCLK frequency.

The maximum possible baud rate (BRGH = 1) is FPB/4 (for UxBRG = 0), and the minimum possible baud rate is FPB/(4 * 65536).

Writing a new value to the UxBRG register causes the baud rate counter to reset (clear). This ensures that the BRG does not wait for a timer overflow before it generates the new baud rate.

21.3.1 Baud Rate Tables

UART baud rates are listed in Table 21-2 for common peripheral bus frequencies (FPB). The minimum and maximum baud rates for each frequency are also provided.

PIC32MX Family Reference Manual

Table 21-2: UART Baud Rates (UxMODE.BRGH = '0')

Target Baud Rate	Peripheral Bus Clock: 40 MHz		
	Actual Baud Rate	% Error	BRG Value (decimal)
110	110.0	0.00	22726.0
300	300.0	0.00	8332.0
1200	1200.2	0.02	2082.0
2400	2399.2	-0.03	1041.0
9600	9615.4	0.16	259.0
19.2 K	19230.8	0.16	129.0
38.4 K	38461.5	0.16	64.0
56 K	55555.6	-0.79	44.0
115 K	113636.4	-1.19	21.0
250 K	250000.0	0.00	9.0
300 K			
500 K	500000.0	0.00	4.0
Min. Rate	38.1	0.0	65535
Max. Rate	2500000	0.0	0

Peripheral Bus Clock: 33 MHz		
Actual Baud Rate	% Error	BRG Value (decimal)
110.0	0.0	18749.0
300.0	0.0	6874.0
1199.8	0.0	1718.0
2401.0	0.0	858.0
9593.0	-0.1	214.0
19275.7	0.4	106.0
38194.4	-0.5	53.0
55743.2	-0.5	36.0
114583.3	-0.4	17.0
257812.5	3.1	7.0
294642.9	-1.8	6.0
515625.0	3.1	3.0
31.5	0.0	65535
2062500	0.0	0

Peripheral Bus Clock: 30 MHz		
Actual Baud Rate	% Error	BRG Value (decimal)
110.0	0.0	17044.0
300.0	0.0	6249.0
1199.6	0.0	1562.0
2400.8	0.0	780.0
9615.4	0.2	194.0
19132.7	-0.4	97.0
38265.3	-0.4	48.0
56818.2	1.5	32.0
117187.5	1.9	15.0
28.6	0.0	65535
1875000	0.0	0

Target Baud Rate	Peripheral Bus Clock: 25 MHz		
	Actual Baud Rate	% Error	BRG Value (decimal)
110	110.0	0.00	14204.0
300	300.0	0.01	5207.0
1200	1200.1	0.01	1301.0
2400	2400.2	0.01	650.0
9600	9585.9	-0.15	162.0
19.2 K	19290.1	0.47	80.0
38.4 K	38109.8	-0.76	40.0
56 K	55803.6	-0.35	27.0
115 K	111607.1	-2.95	13.0
250 K			
300 K			
500 K			
Min. Rate	23.8	0.0	65535
Max. Rate	1562500	0.0	0

Peripheral Bus Clock: 20 MHz		
Actual Baud Rate	% Error	BRG Value (decimal)
110.0	0.0	11363.0
300.0	0.0	4166.0
1199.6	0.0	1041.0
2399.2	0.0	520.0
9615.4	0.2	129.0
19230.8	0.2	64.0
37878.8	-1.4	32.0
56818.2	1.5	21.0
113636.4	-1.2	10.0
250000.0	0.0	4.0
19	0.0	65535
1250000	0.0	0

Peripheral Bus Clock: 18.432 MHz		
Actual Baud Rate	% Error	BRG Value (decimal)
110.0	0.0	10472.0
300.0	0.0	3839.0
1200.0	0.0	959.0
2400.0	0.0	479.0
9600.0	0.0	119.0
19200.0	0.0	59.0
38400.0	0.0	29.0
54857.1	-2.0	20.0
115200.0	0.2	9.0
18	0.0	65535
1152000	0.0	0

Target Baud Rate	Peripheral Bus Clock: 16 MHz		
	Actual Baud Rate	% Error	BRG Value (decimal)
110	110.0	0.00	9090.0
300	300.0	0.01	3332.0
1200	1200.5	0.04	832.0
2400	2398.1	-0.08	416.0
9600	9615.4	0.16	103.0
19.2 K	19230.8	0.16	51.0
38.4 K	38461.5	0.16	25.0
56 K	55555.6	-0.79	17.0
115 K	111111.1	-3.38	8.0
250 K	250000.0	0.00	3.0
300 K			
500 K	500000.0	0.00	1.0
Min. Rate	15	0.0	65535
Max. Rate	1000000	0.0	0

Peripheral Bus Clock: 12 MHz		
Actual Baud Rate	% Error	BRG Value (decimal)
110.0	0.0	6817.0
300.0	0.0	2499.0
1200.0	0.0	624.0
2396.2	-0.2	312.0
9615.4	0.2	77.0
19230.8	0.2	38.0
37500.0	-2.3	19.0
57692.3	3.0	12.0
		6.0
250000.0	0.0	2.0
11	0.0	65535
750000	0.0	0

Peripheral Bus Clock: 10 MHz		
Actual Baud Rate	% Error	BRG Value (decimal)
110.0	0.0	5681.0
300.0	0.0	2082.0
1199.6	0.0	520.0
2403.8	0.2	259.0
9615.4	0.2	64.0
18939.4	-1.4	32.0
39062.5	1.7	15.0
56818.2	1.5	10.0
10	0.0	65535
625000	0.0	0

Table 21-2: UART Baud Rates (UxMODE.BRGH = '0') (Continued)

Target Baud Rate	Peripheral Bus Clock: 8 MHz		
	Actual Baud Rate	% Error	BRG Value (decimal)
110	110.0	0.01	4544.0
300	299.9	-0.02	1666.0
1200	1199.0	-0.08	416.0
2400	2403.8	0.16	207.0
9600	9615.4	0.16	51.0
19.2 K	19230.8	0.16	25.0
38.4 K	38461.5	0.16	12.0
56 K	55555.6	-0.79	8.0
115 K			
250 K	250000.0	0.00	1.0
300 K			
500 K	500000.0	0.00	0.0
Min. Rate	8	0.0	65535
Max. Rate	500000	0.0	0

Peripheral Bus Clock: 5 MHz		
Actual Baud Rate	% Error	BRG Value (decimal)
110.0	0.0	2840.0
299.9	0.0	1041.0
1201.9	0.2	259.0
2403.8	0.2	129.0
9469.7	-1.4	32.0
19531.3	1.7	15.0
39062.5	1.7	7.0
5	0.0	65535
312500	0.0	0

Peripheral Bus Clock: 4 MHz		
Actual Baud Rate	% Error	BRG Value (decimal)
110.0	0.0	2272.0
300.1	0.0	832.0
1201.9	0.2	207.0
2403.8	0.2	103.0
9615.4	0.2	25.0
19230.8	0.2	12.0
4	0.0	65535
250000	0.0	0

Target Baud Rate	Peripheral Bus Clock: 7.68 MHz		
	Actual Baud Rate	% Error	BRG Value (decimal)
110	110.0	-0.01	4363.0
300	300.0	0.00	1599.0
1200	1200.0	0.00	399.0
2400	2400.0	0.00	199.0
9600	9600.0	0.00	49.0
19.2 K	19200.0	0.00	24.0
38.4 K	36923.1	-3.85	12.0
56 K	53333.3	-4.76	8.0
115 K	120000.0	4.35	3.0
250 K	240000.0	-4.00	1.0
300 K			
500 K			
Min. Rate	7	0.0	65535
Max. Rate	480000	0.0	0

Peripheral Bus Clock: 7.15909 MHz		
Actual Baud Rate	% Error	BRG Value (decimal)
110.0	0.0	4067.0
300.1	0.0	1490.0
1199.6	0.0	372.0
2405.6	0.2	185.0
9520.1	-0.8	46.0
19454.0	1.3	22.0
37286.9	-2.9	11.0
55930.4	-0.1	7.0
111860.8	-2.7	3.0
7	0.0	65535
447443	0.0	0

Peripheral Bus Clock: 5.0688 MHz		
Actual Baud Rate	% Error	BRG Value (decimal)
110.0	0.0	2879.0
300.0	0.0	1055.0
1200.0	0.0	263.0
2400.0	0.0	131.0
9600.0	0.0	32.0
18635.3	-2.9	16.0
39600.0	3.1	7.0
5	0.0	65535
316800	0.0	0

Target Baud Rate	Peripheral Bus Clock: 3.579545 MHz		
	Actual Baud Rate	% Error	BRG Value (decimal)
110	110.0	-0.01	2033.0
300	299.9	-0.04	745.0
1200	1202.8	0.23	185.0
2400	2405.6	0.23	92.0
9600	9727.0	1.32	22.0
19.2 K	18643.5	-2.90	11.0
38.4 K	37286.9	-2.90	5.0
56 K	55930.4	-0.12	3.0
115 K	111860.8	-2.73	1.0
250 K			
300 K			
500 K			
Min. Rate	3	0.0	65535
Max. Rate	223722	0.0	0

Peripheral Bus Clock: 3.072 MHz		
Actual Baud Rate	% Error	BRG Value (decimal)
110.0	0.0	1744.0
300.0	0.0	639.0
1200.0	0.0	159.0
2400.0	0.0	79.0
9600.0	0.0	19.0
19200.0	0.0	9.0
38400.0	0.0	4.0
3	0.0	65535
192000	0.0	0

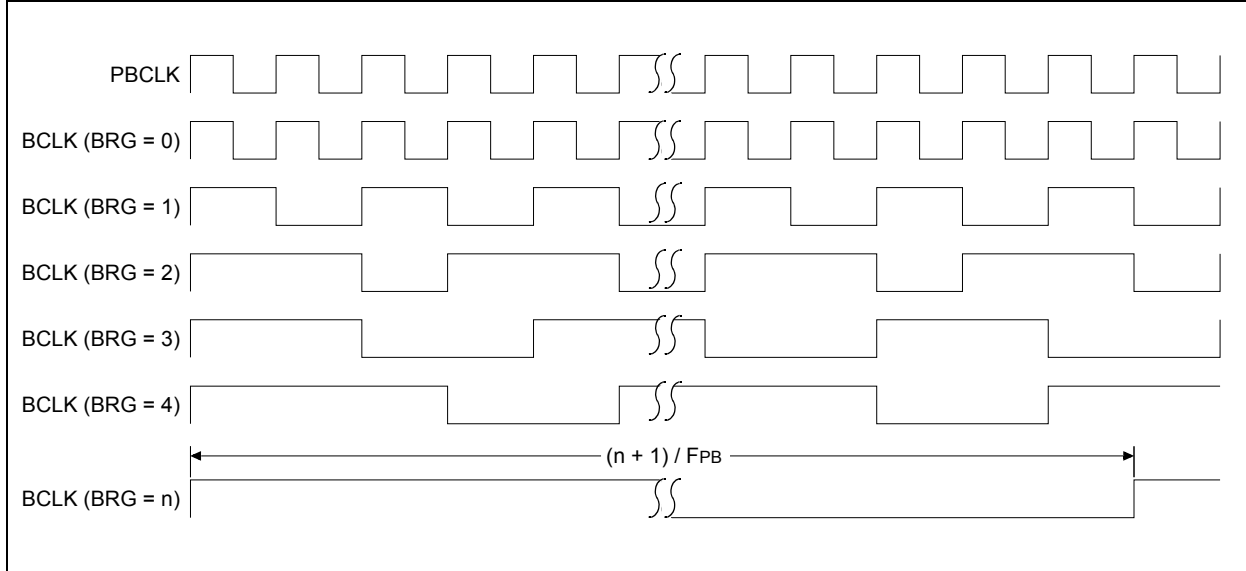
Peripheral Bus Clock: 1.8432 MHz		
Actual Baud Rate	% Error	BRG Value (decimal)
110.0	0.0	1046.0
300.0	0.0	383.0
1200.0	0.0	95.0
2400.0	0.0	47.0
9600.0	0.0	11.0
19200.0	0.0	5.0
38400.0	0.0	2.0
2	0.0	65535
115200	0.0	0

21.3.2 BCLKx Output

The BCLKx pin outputs the 16x baud clock if the UART and BCLKx output are enabled, that is, UEN<1:0> bits (UxMODE<9:8>) = 11. This feature is used for external IrDA encoder/decoder support (see [Figure 21-2](#)). BCLKx output stays low during Sleep mode. BCLKx is forced as an output as long as UART is kept in this mode (that is, UEN<1:0> bits (UxMODE<9:8>) = 11), regardless of the PORTx and TRISx latch bits.

Note: Some of the UART modules do not support the BCLKx pin. Refer to the specific device data sheet for more information on availability of this pin in different UART modules.

Figure 21-2: BCLKx Output vs. UxBRG Programming



21.4 UART CONFIGURATION

The UART uses standard non-return-to-zero (NRZ) format (one Start bit, eight or nine data bits, and one or two Stop bits). Hardware supports the parity, and the user can configure it as even, odd or no parity. The most common data format is 8 bits, no parity, and one Stop bit (denoted as 8, N, 1), which is the default Power-on Reset (POR) setting. The number of data bits and Stop bits, and the parity, are specified in the PDSEL<1:0> (UxMODE<2:1>) and STSEL (UxMODE<0>) bits. The UART transmits and receives the Least Significant bit (LSb) first. The UART's transmitter and receiver are functionally independent, but use the same data format and baud rate.

21.4.1 Enabling the UART

The UART module is enabled by setting the ON bit (UxMODE<15>). In addition, the UART transmitter and receiver are enabled by setting the UTXEN bit (UxSTA<10>) and the URXEN bit (UxSTA<12>), respectively. After setting these bits, the UxTX and UxRX pins are configured as an output and an input, respectively, overriding the bit settings of TRISx and PORTx registers for the corresponding I/O port pins.

21.4.2 Disabling the UART

The UART module is disabled by clearing the ON bit. This is the default state after any Reset. If the UART is disabled, all UART pins operate as port pins controlled by their corresponding bits in the PORTx and TRISx registers.

Disabling the UART module resets the buffers to empty states. Any data in the buffers is lost when the module is disabled.

All error and status flags associated with the UART module are reset when the module is disabled. In UxSTA register, the URXDA, OERR, FERR, PERR, UTXEN, URXEN, UTXBRK and UTXBF bits are cleared, whereas the RIDLE and TRMT bits are set. Other control bits (including ADDEN, URXISEL<1:0> and UTXISEL<1:0>) and the UxMODE and UxBRG registers are not affected.

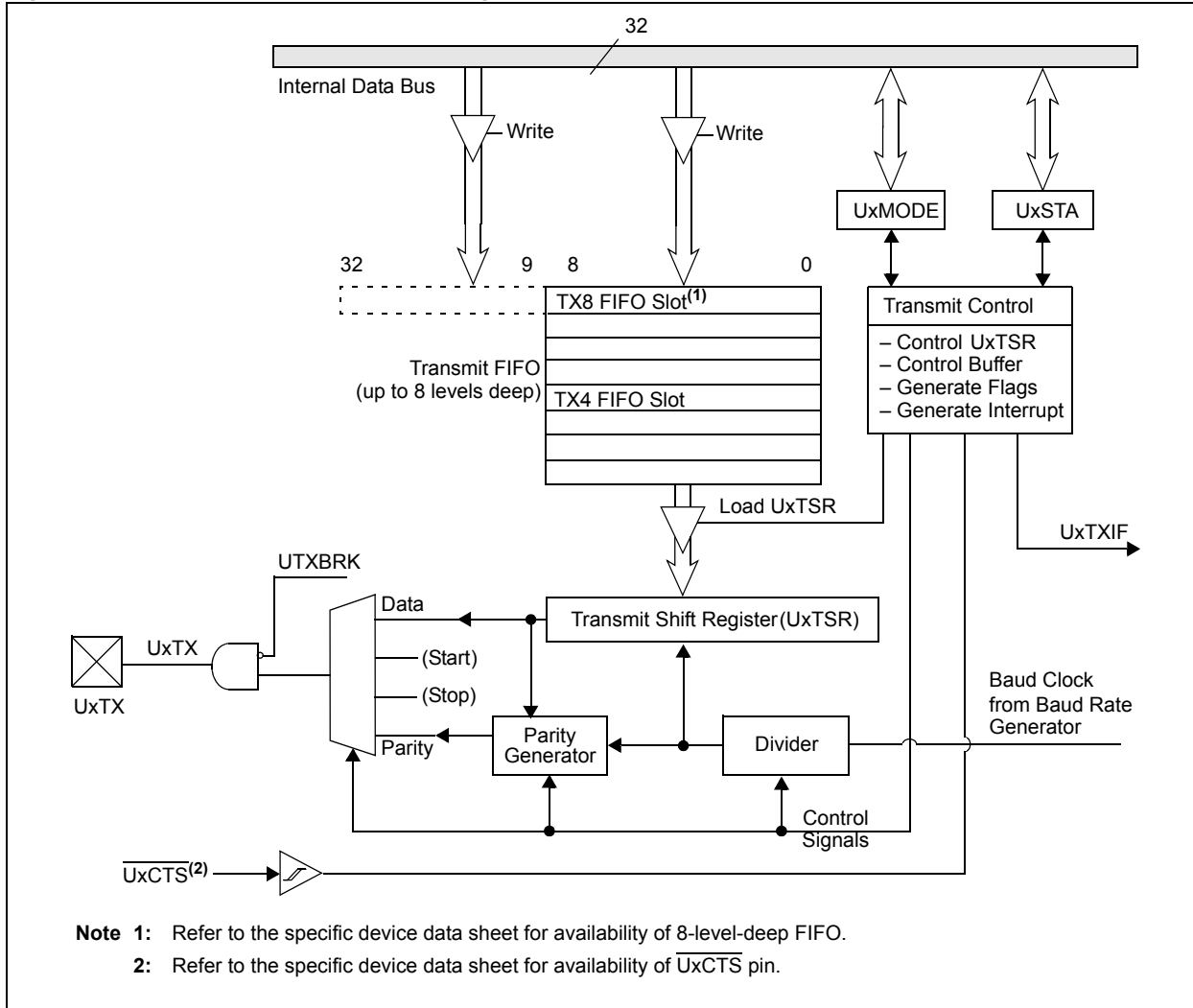
Clearing the ON bit, while the UART module is active, aborts all pending transmissions and receptions, and resets the module as defined above. Re-enabling the UART restarts the UART module with the same configuration.

21.5 UART TRANSMITTER

Figure 21-3 illustrates the UART transmitter block diagram. The heart of the transmitter is Transmit Shift register (UxTSR). The UxTSR obtains its data from the transmit FIFO buffer, UxTXREG. The UxTXREG register is loaded with data in software. The UxTSR register is not loaded until the Stop bit is transmitted from the previous load. As soon as the Stop bit is transmitted, the UxTSR is loaded with new data from the UxTXREG register (if available).

Note: The UxTSR register is not mapped in memory, so it is not available to the user.

Figure 21-3: UART Transmitter Block Diagram⁽¹⁾



Transmission is enabled by setting the UTXEN bit (UxSTA<10>). The actual transmission does not occur until the UxTXREG register is loaded with data and the BRG, UxBRG has produced a shift clock (see Figure 21-3). The transmission can be started by loading the UxTXREG register, and then setting the UTXEN bit. Usually, when transmission is started, the UxTSR register is empty, so a transfer to the UxTXREG register results in an immediate transfer to the UxTSR. Clearing the UTXEN bit during a transmission causes the transmission to be aborted and resets the transmitter. As a result, the UxTX pin reverts to a state defined by the UTXINV bit (UxSTA<13>).

To select 9-bit transmission, the PDSSEL<1:0> bits (UxMODE<2:1>) should be set to '11'.

Note: No parity in 9-bit data transmission.

21.5.1 Transmit Buffer (UxTXREG)

The transmit buffer is 9 bits wide and up to 8 levels deep. Together with the Transmit Shift registers (UxTSR), the user can have up to a 9-level-deep buffer. When the UxTXREG contents are transferred to the UxTSR register, the current buffer location will be available for new data to be written. The UTXBF status bit (UxSTA<9>) is set whenever the buffer is full. If a user attempts to write to a full buffer, the new data will not be accepted into the FIFO.

The FIFO is reset during any device Reset, but is not affected when the device enters a power-saving mode or wakes up from a power-saving mode.

Note: Refer to the specific device data sheet for availability of 8-level-deep and 4-level-deep FIFO.

21.5.2 Transmit Interrupt

The Transmit Interrupt Flag Status bit (UxTXIF) is located in the corresponding Interrupt Flag Status register (IFS). The UTXISEL control bits (UxSTA<15:14>) determine when the UART will generate a transmit interrupt. The UxTXIF bit is set when the module is enabled. Switching between the interrupt modes during operation is possible, but it is not recommended unless the buffer is empty.

While the UxTXIF flag bit indicates the status of the UxTXREG register, the TRMT bit (UxSTA<8>) indicates the status of the UxTSR register. The TRMT status bit is a read-only bit and it is set when the UxTSR register is empty. No interrupt logic is tied to this bit, so the user has to poll this bit to determine if the UxTSR register is empty.

To clear an interrupt for UART modules having 4-level-deep FIFO, the corresponding UxTXIF flag bit must be cleared in the associated IFSx register.

For UART modules having 8-level-deep FIFO, an interrupt is generated and asserted when the interrupt condition specified by the UTXISEL control bits is true. This means, to clear an interrupt for these modules, before clearing the corresponding UxTXIF flag bit, the user application must ensure that the interrupt condition specified by the UTXISEL control bits is no longer true.

21.5.3 Setup for UART Transmit

Follow these steps to set up a UART transmission:

1. Initialize the UxBRG register for the appropriate baud rate (refer to [21.3 “UART Baud Rate Generator”](#)).
2. Set the number of data and Stop bits, and parity selection by writing to the PDSEL<1:0> bits (UxMODE<2:1>) and STSEL bit (UxMODE<0>).
3. If transmit interrupts are desired, set the UxTXIE control bit in the corresponding Interrupt Enable Control register (IEC). Specify the interrupt priority and subpriority for the transmit interrupt using the UxIP<2:0> and UxIS<1:0> control bits in the corresponding Interrupt Priority Control register (IPC). Also, select the Transmit Interrupt mode by writing to the UTXISEL bits (UxSTA<15:14>).
4. Enable the transmission by setting the UTXEN bit (UxSTA<10>), which also sets the UxTXIF bit. The UxTXIF bit should be cleared in the software routine that services the UART transmit interrupt. The operation of the UxTXIF bit is controlled by the UTXISEL control bits.
5. Enable the UART module by setting the ON bit (UxMODE<15>).
6. Load data to the UxTXREG register (starts transmission).

21.5.4 Transmission of Break Characters

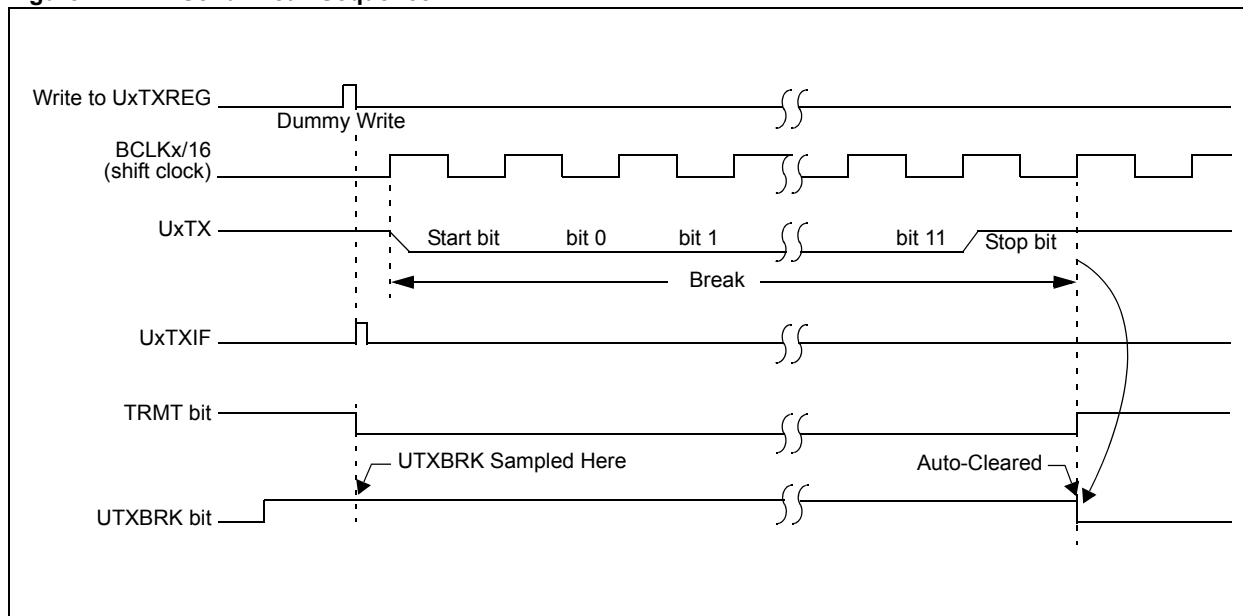
A Break character transmit consists of a Start bit, followed by twelve bits of '0', and a Stop bit. A Frame Break character is sent whenever the UART module is enabled, and the UTXBRK (UxSTA<11>) and UTXEN (UxSTA<10>) bits are set while the UxTXREG register is loaded with data. A dummy write to the UxTXREG register is necessary to initiate the Break character transmission. The data value written to the UxTXREG for the Break character is ignored. The write merely initiates the proper sequence, so that all zeroes are transmitted.

The UTXBRK bit is automatically reset by hardware after the corresponding break transmission is complete. This enables the user to preload the write FIFO with the next transmit byte while the break is being transmitted (typically, the Sync character in the LIN specification).

Note: The user should wait for the transmitter to be Idle (TRMT = 1) before setting the UTXBRK bit (UxSTA<11>). The UTXBRK bit overrides any other transmitter activity. If FIFO contains transmit data when the UTXBRK bit is set, a break character will be sent when data is transferred to the UxTSR register, instead of the actual transmit data that was transferred into the UxTSR register. If the user application clears the UTXBRK bit prior to sequence completion, unexpected module behavior can result.

The TRMT bit (UxSTA<8>) indicates whether the Transmit Shift register is empty or full, like it does during normal transmission. See [Figure 21-4](#) for the timing of the Break character sequence.

Figure 21-4: Send Break Sequence



21.5.5 Break and Sync Transmit Sequence

The following sequence is performed to send a message frame header that is composed of a Break character, followed by an auto-baud Sync byte. This sequence is typical of a LIN bus master.

1. Configure the UART for the desired mode, refer to [21.5.3 "Setup for UART Transmit"](#) for setup information.
2. If data is currently being sent, poll the TRMT bit (UxSTA<8>) to determine when the transmission ends.
3. Set UTXEN (UxSTA<10>) and UTXBRK (UxSTA<11>) to set up the Break character.
4. Load the UxTXREG with a dummy character to initiate transmission (value is ignored).
5. Write 0x55 to UxTXREG to load the Sync character into the transmit FIFO.

After the Break is sent, the UTXBRK bit is reset by hardware. The Sync character now transmits.

21.6 UART RECEIVER

The heart of the receiver is the Receive (Serial) Shift register (UxRSR). The data is received on the UxRX pin and is sent to the majority detect block. In BRGH = 0 mode, the majority detect block operates at 16 times the baud rate, and a majority detect circuit is implemented to determine whether a high-level or a low-level is present at the UxRX pin. In BRGH = 1 mode, the majority detect block operates at 4 times the baud rate, and a single sample is used to determine whether a high-level or a low-level is present.

After sampling the UxRX pin for the Stop bit, the received data in UxRSR is transferred to the receive FIFO, if it is not full. Figure 21-5 illustrates a UART receiver block diagram. Reception is enabled by setting the URXEN bit (UxSTA<12>).

Note: The Receive Shift register (UxRSR) is not mapped in memory; therefore, it is not available to the user.

21.6.1 Receive Buffer (UxRXREG)

The UART receiver has a 9-bit-wide FIFO receive data buffer that is up to 8 levels deep. The UxRXREG is a memory mapped register that provides access to the output of the FIFO. It is possible for the FIFO to be full and the next word to begin shifting to the UxRSR register before a buffer overrun occurs.

21.6.2 Receiver Error Handling

If the FIFO is full and a new character is fully received into the UxRSR register, the overrun error bit, OERR (UxSTA<1>) is set. The word in UxRSR register is not kept, and further transfers to the receive FIFO are inhibited as long as the OERR bit is set. The user must clear the OERR bit in software to allow further data to be received.

To keep the data that was received prior to the overrun, the user should read all received characters and then clear the OERR bit. If the received characters can be discarded, the user can simply clear the OERR bit. This effectively resets the receive FIFO, and all prior received data is lost.

Note: The data in the receive FIFO should be read prior to clearing the OERR bit. The FIFO is reset when the OERR bit is cleared, which causes all data in the buffer to be lost.

The Framing Error Status bit, FERR (UxSTA<2>) is set when the received state of the Stop bit is incorrect.

The Parity Error Status bit, PERR (UxSTA<3>) is set if a parity error exists in the data word at the top of the buffer (that is, the current word). For example, a parity error occurs if the parity is set as even, but the total number of ones in the data has been detected as odd. The PERR bit is irrelevant in 9-bit mode. The FERR and PERR bits are buffered along with the corresponding word and should be read before reading the data word.

21.6.3 Receive Interrupt

The UART Receive Interrupt Flag Status bit (UxRXIF) is located in the corresponding Interrupt Flag Status register (IFSx). The URXISEL<1:0> control bits (UxSTA<7:6>) determine when the UART receiver generates an interrupt.

To clear an interrupt for UART modules having 4-level-deep FIFO, the corresponding UxRXIF flag must be cleared in the associated IFSx register.

For UART modules having 8-level-deep FIFO, an interrupt is generated when the interrupt condition specified by the URXISEL control bits is true. This means, to clear an interrupt for these modules before clearing the corresponding UxRXIF flag bit, the user application must ensure that the interrupt condition specified by the URXISEL control bits is no longer true.

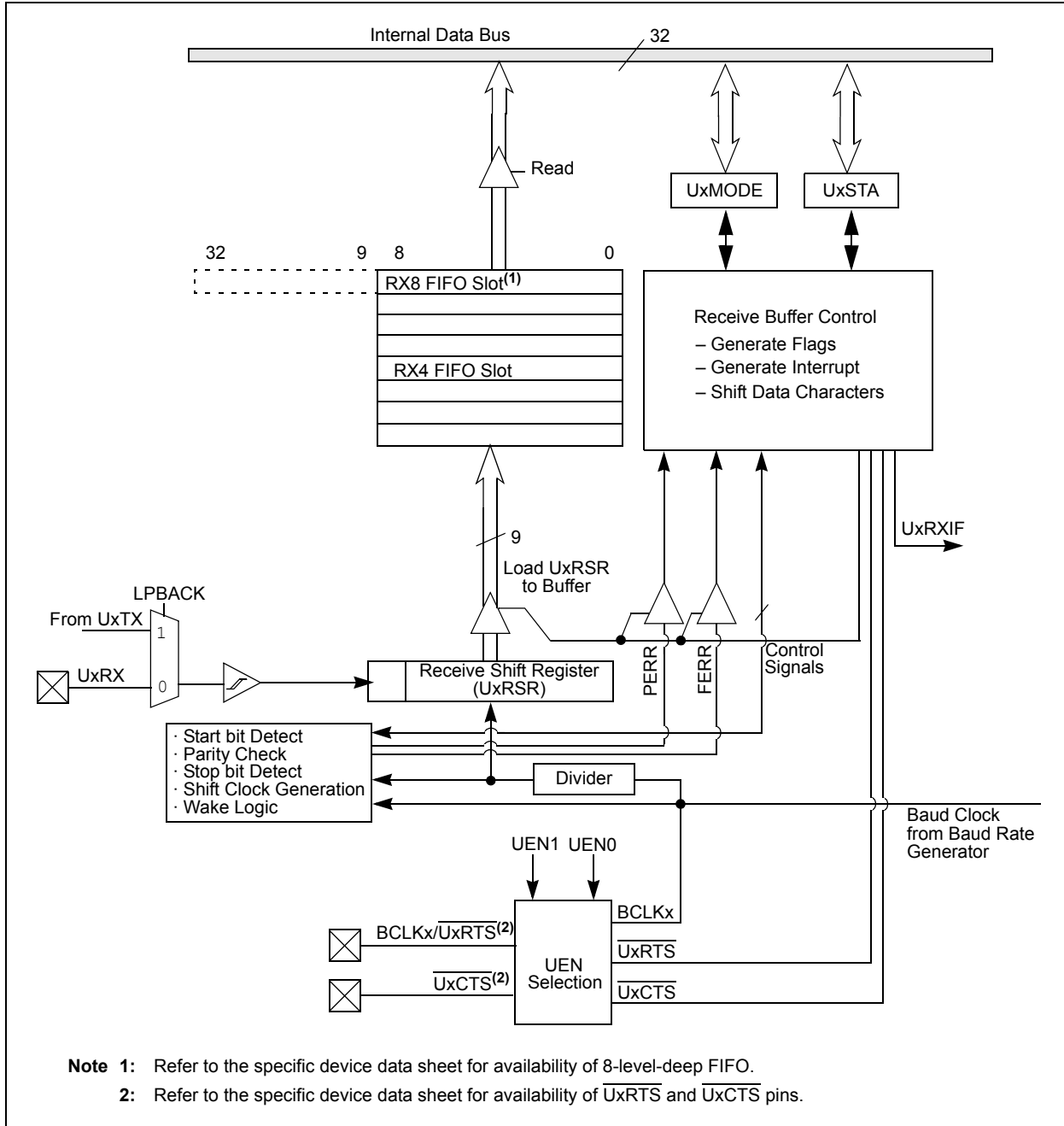
PIC32MX Family Reference Manual

While the URXDA and UxRXIF bits indicate the status of the UxRXREG register, the RIDLE bit (UxSTA<4>) indicates the status of the UxRSR register. The RIDLE bit is a read-only bit, which is set when the receiver is Idle (that is, the UxRSR register is empty). No interrupt is tied to this bit, so the user must poll this bit to determine whether the UxRSR is Idle.

The URXDA bit (UxSTA<0>) is a read-only bit which indicates whether the receive buffer has data or it is empty. This bit is set as long as there is one character to be read from the receive buffer.

A block diagram of the UART receiver is illustrated in [Figure 21-5](#).

Figure 21-5: UART Receiver Block Diagram⁽¹⁾



21.6.4 Setup for UART Reception

The following steps are performed to set up a UART reception:

1. Initialize the UxBRG register for the appropriate baud rate (see [21.3 “UART Baud Rate Generator”](#)).
2. Set the number of data and Stop bits, and parity selection by writing to the PDSEL<1:0> (UxMODE<2:1>) and STSEL (UxMODE<0>) bits.
3. If interrupts are desired, set the UxRXIE bit in the corresponding Interrupt Enable Control register (IEC). Specify the priority and subpriority for the interrupt using the UxIP<2:0> and UxIS<1:0> control bits in the corresponding Interrupt Priority Control register (IPC). Also, select the Receive Interrupt mode by writing to the URXISEL<1:0> bits (UxSTA<7:6>).
4. Enable the UART receiver by setting the URXEN bit (UxSTA<12>).
5. Enable the UART module by setting the ON bit (UxMODE<15>).
6. Receive interrupts are dependent on the URXISEL<1:0> bit settings. If receive interrupts are not enabled, the user can poll the URXDA bit (UxSTA<0>). The UxRXIF bit should be cleared in the software routine that services the UART receive interrupt.
7. Read data from the receive buffer. If 9-bit transmission is selected, read a word; otherwise, read a byte. The URXDA bit is set whenever data is available in the buffer.

21.7 USING THE UART FOR 9-BIT COMMUNICATION

The UART receiver in 9-bit Data mode is used for communication in a multiprocessor environment. With the ADDEN bit (UxSTA<5>) set in 9-bit Data mode, the receiver can ignore the data when the 9th bit of the data is '0'.

21.7.1 Multi-processor Communications

A typical multi-processor communication protocol differentiates between data bytes and address/control bytes. A common scheme is to use a 9th data bit to identify whether a data byte is address or data information. If the 9th bit is set, the data is processed as address or control information. If the 9th bit is cleared, the received data word is processed as data associated with the previous address/control byte.

The protocol operates in the following sequence:

- The master device transmits a data word with the 9th bit set. The data word contains the address of a slave device and is considered the address word.
- All slave devices in the communication chain receive the address word and check the slave address value.
- The slave device that is specified by the address word receives and processes subsequent data bytes sent by the master device. All other slave devices discard subsequent data bytes until a new address word is received.

21.7.1.1 ADDEN CONTROL BIT

The UART receiver has an Address Detect mode, which allows it to ignore data words with the 9th bit cleared. This reduces the interrupt overhead because the data words with the 9th bit cleared are not buffered. This feature is enabled by setting the ADDEN bit (UxSTA<5>).

The UART must be configured for 9-bit data to use the Address Detect mode. The ADDEN bit has no effect when the receiver is configured in 8-bit Data mode.

21.7.1.2 SETUP FOR 9-BIT TRANSMIT MODE

The setup procedure for 9-bit transmission is identical to the 8-bit transmit modes, except that the PDSEL<1:0> bits (UxMODE<2:1>) should be set to '11'. Word writes should be performed to the UxTXREG register (starts transmission). Refer to [21.5.3 "Setup for UART Transmit"](#) for more information on setting up for UART transmission.

21.7.1.3 SETUP FOR 9-BIT RECEPTION USING ADDRESS DETECT MODE

The setup procedure for 9-bit reception is identical to the 8-bit Receive modes, except that the PDSEL<1:0> bits (UxMODE<2:1>) should be set to '11'. Refer to [21.6.4 "Setup for UART Reception"](#) for more information on setting up for UART reception.

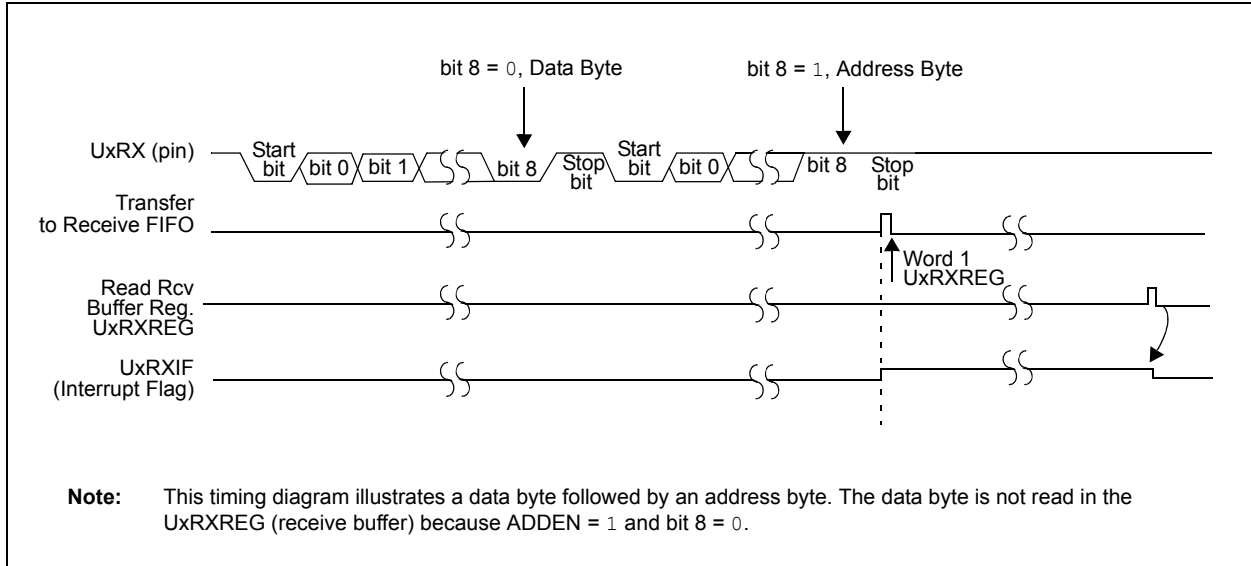
Receive Interrupt mode should be configured by writing to the URXISEL<1:0> bits (UxSTA<7:6>).

<p>Note: A receive interrupt is generated when an Address character is detected and the Address Detect mode is enabled (ADDEN = 1), regardless of how the URXISEL<1:0> bits are set.</p>

Perform the following steps to use the Address Detect mode:

1. Set PDSEL<1:0> bits (UxMODE<2:1>) to '11' to choose 9-bit mode.
2. Set the ADDEN bit (UxSTA<5>) to enable address detect.
3. Set ADDR bits (UxSTA<23:16>) to the desired device address character.
4. Set the ADM_EN bit (UxSTA<24>) to enable Address Detect mode.
5. If this device has been addressed, the UxRXREG is discarded. All subsequent characters received with UxRXREG<8> = 0 are transferred to the UART receive buffer, and interrupts are generated according to URXISEL<1:0> bits (UxSTA<7:6>).

Figure 21-6: Reception with Address Detect (ADDEN = 1)



21.8 RECEIVING BREAK SEQUENCE

The wake-up feature is enabled by setting the WAKE bit ($UxMODE <7> = 1$). In this mode, the module receives the Start bit, data and invalid Stop bit (which sets FERR bit); however, the receiver waits for a valid Stop bit before looking for the next Start bit. It will not assume that the Break condition on the line is the next Start bit. A Break is regarded as a character containing all zeros with the FERR bit set. The Break character is loaded into the buffer. No further reception can occur until a Stop bit is received. The WAKE bit is cleared when the Stop bit is received after the 13-bit Break character. RIDLE goes high when the Stop bit is received.

The receiver counts and expects a certain number of bit times based on the values programmed in the PDSEL<1:0> ($UxMODE <2:1>$) and STSEL ($UxMODE <0>$) bits.

If the Break is longer than 13 bit times, the reception is considered complete after the number of bit times specified by the PDSEL and STSEL bits elapses. The URXDA and FERR bits are set, zeros are loaded into the receive FIFO, and interrupts are generated.

If the wake-up feature is not set, WAKE ($UxMODE <7> = 0$), Break reception is not special. The Break is counted as one character loaded into the buffer (all '0' bits) with FERR bit set.

21.9 INITIALIZATION

An initialization routine for the Transmitter/Receiver in 8-bit mode is shown in [Example 21-2](#). An initialization routine of the Addressable UART in 9-bit Address Detect mode is shown in [Example 21-3](#). In both the examples, the value to load into the UxBRG register is dependent on the desired baud rate and the device frequency.

Example 21-2: 8-bit Transmit/Receive (UART1)

```
U1BRG = BaudRate;           // Set Baud rate

U1STA = 0;
U1MODE = 0x8000;           // Enable UART for 8-bit data
                          // no parity, 1 Stop bit
U1STASET = 0x1400;        // Enable Transmit and Receive
```

Example 21-3: 8-bit Transmit/Receive (UART1), Address Detect Enabled

```
U1BRG = BaudRate;           // Set Baud rate

U1MODE = 0x8006;           // Enable UART for 9-bit data
                          // no parity, 1 Stop bit
U1STA = 0x1211420;        // Address detect enabled
                          // Device Address = 0x21
                          // Enable Automatic Address Detect mode
                          // Enable Transmit and Receive
```

21.10 OTHER FEATURES OF THE UART

21.10.1 UART in Loopback Mode

Setting the LPBACK bit (UxMODE<6>) enables Loopback mode in which the UxTX output is internally connected to the UxRX input. When configured for the Loopback mode, the UxRX pin is disconnected from the internal UART receive logic; however, the UxTX pin still functions normally.

Perform the following steps to select Loopback mode:

1. Configure the UART for the desired mode of operation (see [21.5.3 “Setup for UART Transmit”](#)).
2. Enable transmission as defined in [21.5 “UART Transmitter”](#).
3. Set LPBACK (UxMODE<6>) = 1 to enable Loopback mode.

Table 21-3 shows how the Loopback mode is dependent on the UEN<1:0> bits settings.

Table 21-3: Loopback Mode Pin Function

UEN<1:0>	Pin Function, LPBACK = 1 ⁽¹⁾
00	UxRX input connected to UxTX UxTX pin functions UxRX pin ignored UxCTS/UxRTS unused ⁽²⁾
01	UxRX input connected to UxTX UxTX pin functions UxRX pin ignored UxRTS pin functions ⁽²⁾ UxCTS unused ⁽²⁾
10	UxRX input connected to UxTX UxTX pin functions UxRX pin ignored UxRTS pin functions ⁽²⁾ UxCTS input connected to $\overline{\text{UxRTS}}$ ⁽²⁾ UxCTS pin ignored ⁽²⁾
11	UxRX input connected to UxTX UxTX pin functions UxRX pin ignored BCLKx pin functions UxCTS/UxRTS unused ⁽²⁾

Note 1: LPBACK = 1 should be set only after enabling the other bits associated with the UART module.

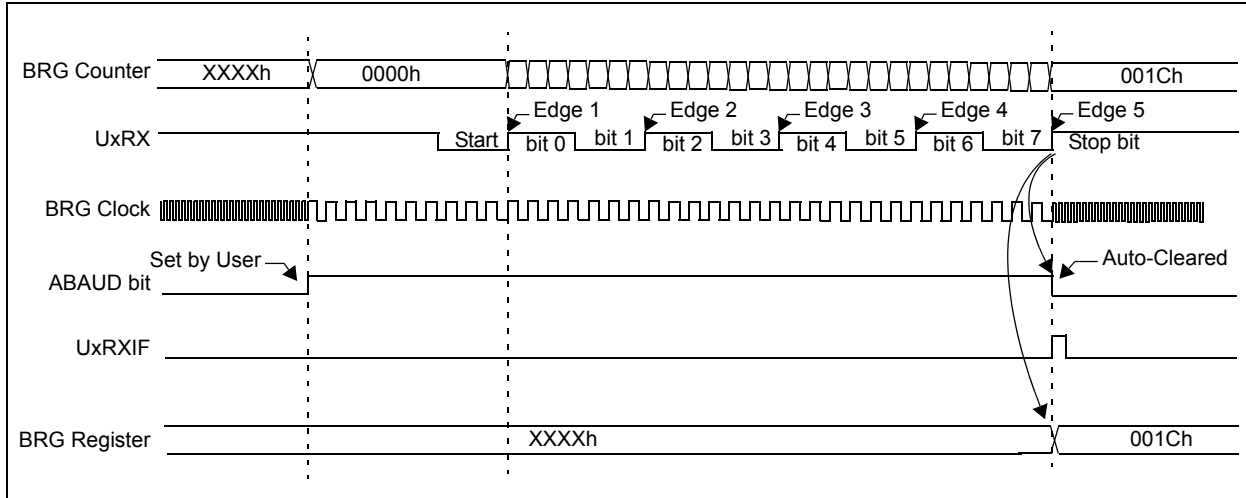
2: Refer to the specific device data sheet for availability of $\overline{\text{UxCTS}}$ and $\overline{\text{UxRTS}}$ pins.

21.10.2 Auto-Baud Support

The ABAUD bit (UxMODE<5>) is enabled to allow the system to determine the baud rates of the received characters. The UART begins an automatic baud rate measurement sequence whenever a Start bit is received, and when the Auto-Baud Rate Detect is enabled (ABAUD = 1). The calculation is self-averaging. This feature is active only while the auto-wake-up is disabled (WAKE = 0). In addition, LPBACK (UxMODE<6>) must be '0' for the auto-baud operation. When the ABAUD bit is set, the BRG counter value clears and looks for a Start bit. In this case, Start bit is defined as a high-to-low transition followed by a low-to-high transition.

Following the Start bit, the auto-baud expects to receive an ASCII 'U' (55h) to calculate the bit rate. The measurement is taken over both the low and the high bit time to minimize any effects caused by asymmetry of the incoming signal. At the end of the Start bit (rising edge), the BRG counter begins counting up using a FPB/8 clock. On the 5th UxRX pin rising edge, an accumulated BRG counter value totaling the proper BRG period is transferred to the UxBRG register. The ABAUD bit automatically clears. If the user clears the ABAUD bit prior to sequence completion, unexpected module behavior can result. See [Figure 21-1](#) for the ABD sequence.

Figure 21-7: Automatic Baud Rate Calculation



While the auto-baud sequence is in progress, the UART state machine is held in Idle mode. The UxRXIF interrupt is set on the 5th UxRX rising edge, independent of the URXISEL<1:0> bits settings. The receiver FIFO is not updated.

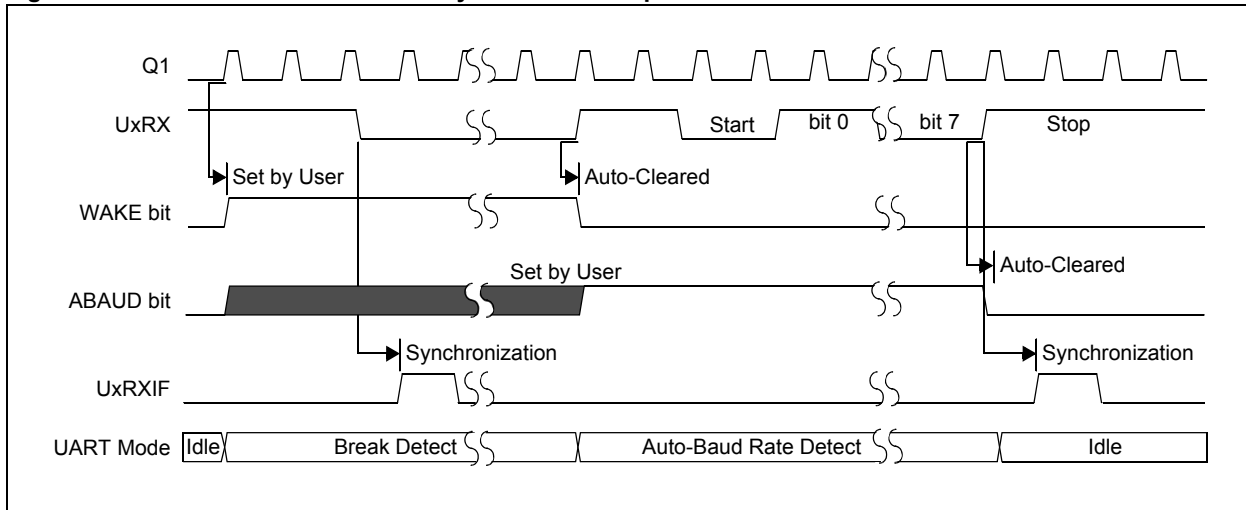
21.10.3 Break Detect Sequence

The user can configure the auto-baud to occur immediately following the Break detect. This is done by setting the ABAUD bit (UxMODE<5>) with the WAKE bit (UxMODE<7>) set. Figure 21-8 illustrates a Break detect followed by an auto-baud sequence. The WAKE bit takes priority over the ABAUD bit setting.

Note: If the WAKE bit is set with the ABAUD bit, auto-baud rate detection occurs on the byte following the Break character. The user must ensure that the baud rate of the incoming character is within the range of the selected UxBRG clock source, considering the baud rate possible with the given clock.

The UART transmitter cannot be used during an auto-baud sequence. In addition to that, the user should ensure that the ABAUD bit is not set while a transmit sequence is already in progress. Otherwise, the UART may exhibit unpredictable behavior.

Figure 21-8: Break Detect Followed by Auto-Baud Sequence



21.11 OPERATION OF $\overline{\text{UxCTS}}$ AND $\overline{\text{UxRTS}}$ CONTROL PINS

$\overline{\text{UxCTS}}$ (Clear to Send) and $\overline{\text{UxRTS}}$ (Request to Send) are two hardware controlled pins associated with the UART module. These two pins allow the UART to operate in Flow Control and Simplex modes, which are explained in [21.11.2 “UxRTS Function in Flow Control Mode”](#) and [21.11.3 “UxRTS Function in Simplex Mode”](#). They are implemented to control the transmission and reception among the Data Terminal Equipment (DTE).

Note: Refer to the specific device data sheet for availability of the $\overline{\text{UxCTS}}$ and $\overline{\text{UxRTS}}$ pins.

21.11.1 $\overline{\text{UxCTS}}$ Function

In the UART operation, the $\overline{\text{UxCTS}}$ acts as an input pin that can control the transmission. This pin is controlled by another device (typically a PC). The $\overline{\text{UxCTS}}$ pin is configured using the $\text{UEN}<1:0>$ bits ($\text{UxMODE}<9:8>$). When $\text{UEN}<1:0> = 10$, $\overline{\text{UxCTS}}$ is configured as an input pin. If $\overline{\text{UxCTS}} = 1$, the transmitter loads data in the Transmit Shift register, but will not initiate a transmission. This allows the DTE to control and receive the data accordingly from the controller, based on its requirement.

The $\overline{\text{UxCTS}}$ pin is sampled simultaneously with a transmit data change (that is, at the beginning of the 16 baud clocks). Transmission begins only when the $\overline{\text{UxCTS}}$ pin is sampled low. The $\overline{\text{UxCTS}}$ pin is sampled internally with a PB clock, which means there is a minimum pulse width on $\overline{\text{UxCTS}}$ of one peripheral clock. However, this cannot be a specification as the FPB can vary depending on the clock used.

The user can also read the status of the $\overline{\text{UxCTS}}$ pin by reading the associated port pin.

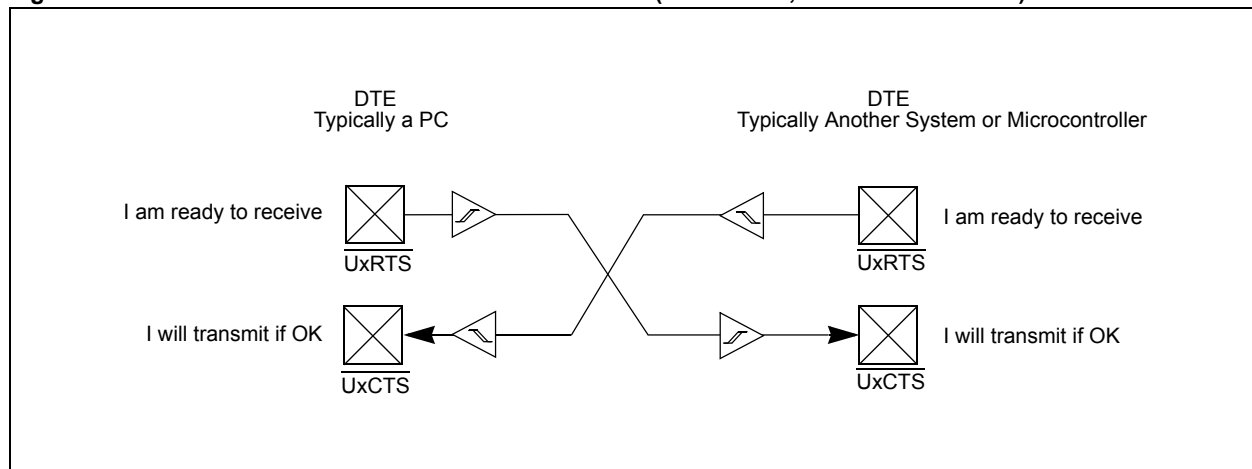
21.11.2 $\overline{\text{UxRTS}}$ Function in Flow Control Mode

In the Flow Control mode, the $\overline{\text{UxRTS}}$ pin of one DTE is connected to the $\overline{\text{UxCTS}}$ pin of the PIC32MX and the $\overline{\text{UxCTS}}$ pin of the DTE is connected to the $\overline{\text{UxRTS}}$ pin of the PIC32MX, as illustrated in [Figure 21-9](#).

The $\overline{\text{UxRTS}}$ signal indicates that the device is ready to receive the data. The $\overline{\text{UxRTS}}$ is driven as an output pin whenever $\text{UEN}<1:0> = 01$ or 10 . The $\overline{\text{UxRTS}}$ pin is asserted (driven low) whenever the receiver is ready to receive data. When the device is in Flow Control mode and RTSMD ($\text{UxMODE}<11>$) = 0, the $\overline{\text{UxRTS}}$ pin is driven low whenever the receive buffer is not full or the OERR bit ($\text{UxSTA}<1>$) is not set. When the RTSMD bit = 0, the $\overline{\text{UxRTS}}$ pin is driven high whenever the device is not ready to receive (that is, when the receiver buffer is either full or in the process of shifting). The $\overline{\text{UxRTS}}$ pin is asserted (driven low) when the receiver has space for at least 2 characters in the FIFO.

As the $\overline{\text{UxRTS}}$ pin of the DTE is connected to the $\overline{\text{UxCTS}}$ pin of the PIC32MX, the $\overline{\text{UxRTS}}$ pin drives the $\overline{\text{UxCTS}}$ pin low whenever it is ready to receive the data. Transmission of the data begins when the $\overline{\text{UxCTS}}$ pin goes low, as explained in [21.11.1 “UxCTS Function”](#).

Figure 21-9: $\overline{\text{UxRTS}}/\overline{\text{UxCTS}}$ Flow Control for DTE-DTE ($\text{RTSMD} = 0$, Flow Control Mode)



21.11.3 $\overline{\text{UxRTS}}$ Function in Simplex Mode

In the Simplex mode, the $\overline{\text{UxRTS}}$ pin of the DCE is connected to the $\overline{\text{UxRTS}}$ pin of the PIC32MX and the $\overline{\text{UxCTS}}$ pin of the DCE is connected to the $\overline{\text{UxCTS}}$ pin of the PIC32MX, as illustrated in Figure 21-10.

In the Simplex mode, the $\overline{\text{UxRTS}}$ signal indicates that the DTE is ready to transmit. The DCE replies to the $\overline{\text{UxRTS}}$ signal with the valid $\overline{\text{UxCTS}}$ signal when the DCE is ready to receive the transmission. When the DTE receives a valid $\overline{\text{UxCTS}}$ signal, it begins transmission.

Figure 21-11 illustrates that Simplex mode is also used in IEEE-485 systems to enable transmitters. When the $\overline{\text{UxRTS}}$ signal indicates that the DTE is ready to transmit, the $\overline{\text{UxRTS}}$ signal enables the driver.

The $\overline{\text{UxRTS}}$ pin is configured as an output and is driven whenever $\text{UEN}\langle 1:0 \rangle = 01$ or 10 . When $\text{RTSMD} = 1$, the $\overline{\text{UxRTS}}$ pin is asserted (driven low) whenever the data is available to transmit ($\text{TRMT} = 0$). When $\text{RTSMD} = 1$, the $\overline{\text{UxRTS}}$ pin is deasserted (driven high) when the transmitter is empty ($\text{TRMT} = 1$).

Figure 21-10: $\overline{\text{UxRTS}}/\overline{\text{UxCTS}}$ Handshake for DTE-DCE (RTSMD = 1, Simplex Mode)

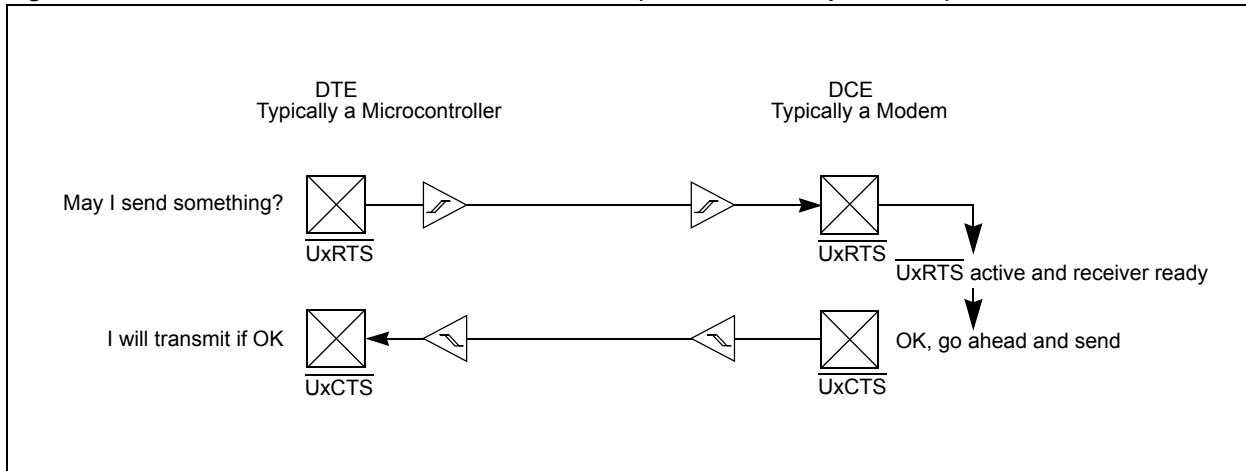
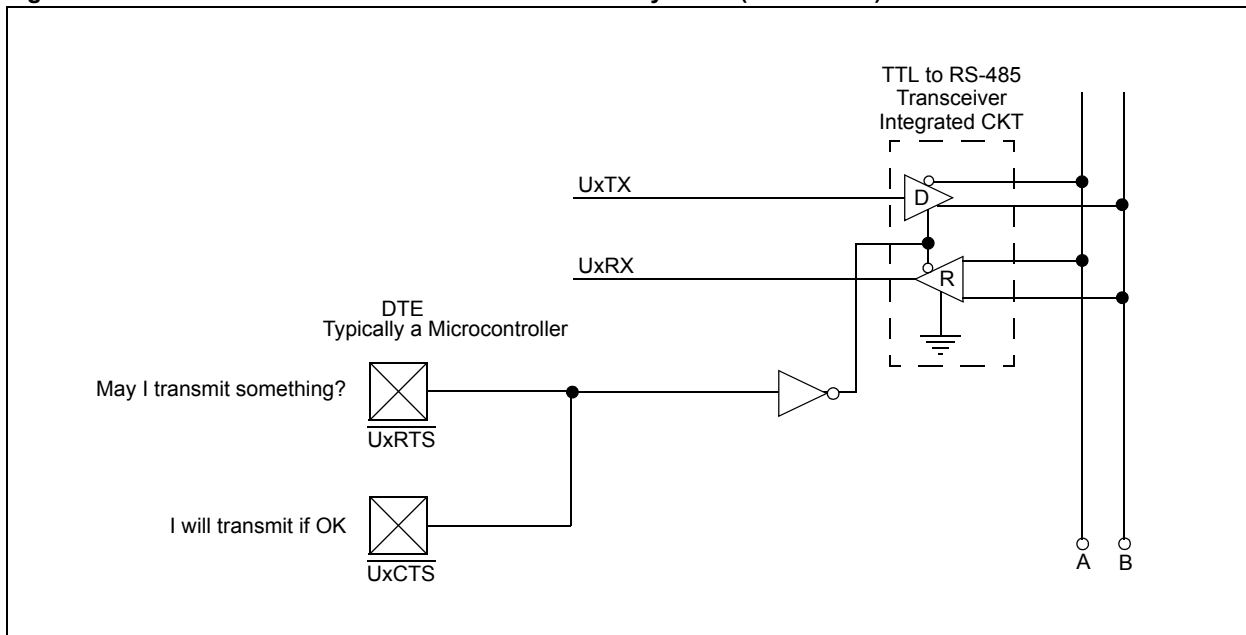


Figure 21-11: $\overline{\text{UxRTS}}/\overline{\text{UxCTS}}$ Bus Enable for IEEE-485 Systems (RTSMD = 1)



21.12 INFRARED SUPPORT

The UART module provides the following two infrared UART support:

- IrDA clock output to support external IrDA encoder and decoder devices (legacy module support)

Note: Refer to the specific device data sheet for availability of this feature.

- Full implementation of the IrDA encoder and decoder

21.12.1 External IrDA Support – IrDA Clock Output

To support external IrDA encoder and decoder devices, the BCLKx pin can be configured to generate the 16x baud clock. When UEN<1:0> = 11, the BCLKx pin will output the 16x baud clock if the UART module is enabled; it can be used to support the IrDA codec chip.

21.12.2 Built-In IrDA Encoder and Decoder

The UART has full implementation of the IrDA encoder and decoder as part of the UART module. The built-in IrDA encoder and decoder functionality is enabled using the IREN bit (UxMODE<12>). When enabled (IREN = 1), the receive pin UxRX acts as the input from the infrared receiver. The transmit pin UxTX acts as the output to the infrared transmitter.

21.12.2.1 IRDA ENCODER FUNCTION

The encoder works by taking the serial data from the UART and replacing it as follows:

- Transmit bit data of '1' gets encoded as '0' for the entire 16 periods of the 16x baud clock.
- Transmit bit data of '0' gets encoded as '0' for the first 7 periods of the 16x baud clock, as '1' for the next 3 periods and as '0' for the remaining 6 periods.

For more information, see [Figure 21-12](#) and [Figure 21-14](#).

21.12.2.2 IRDA TRANSMIT POLARITY

The IrDA transmit polarity is selected using the UTXINV bit (UxSTA<13>). This bit only affects the module when the IrDA encoder and decoder are enabled (IREN = 1). The UTXINV bit does not affect the receiver or the module operation for normal transmission and reception. When UTXINV = 0, the Idle state of the UxTX line is '0' (see [Figure 21-12](#)). When UTXINV = 1, the Idle state of the UxTX line is '1' (see [Figure 21-13](#)).

Figure 21-12: IrDA® Encode Scheme

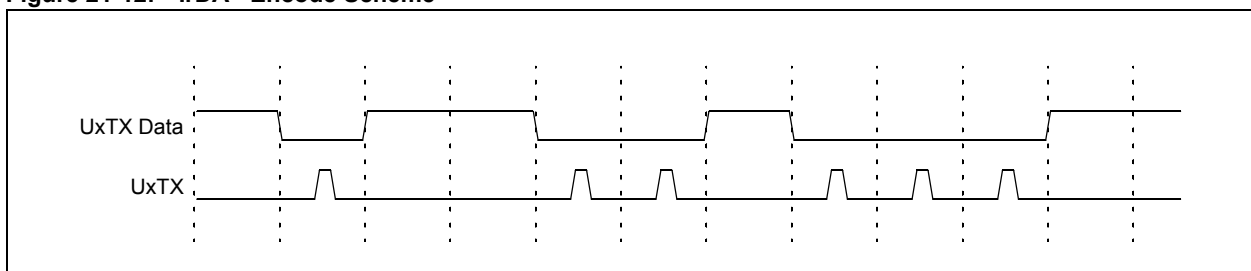


Figure 21-13: IrDA® Encode Scheme for '0' Bit Data

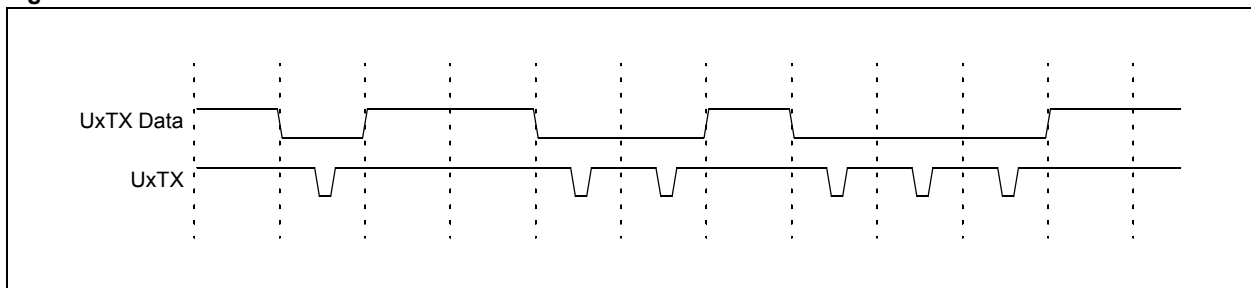
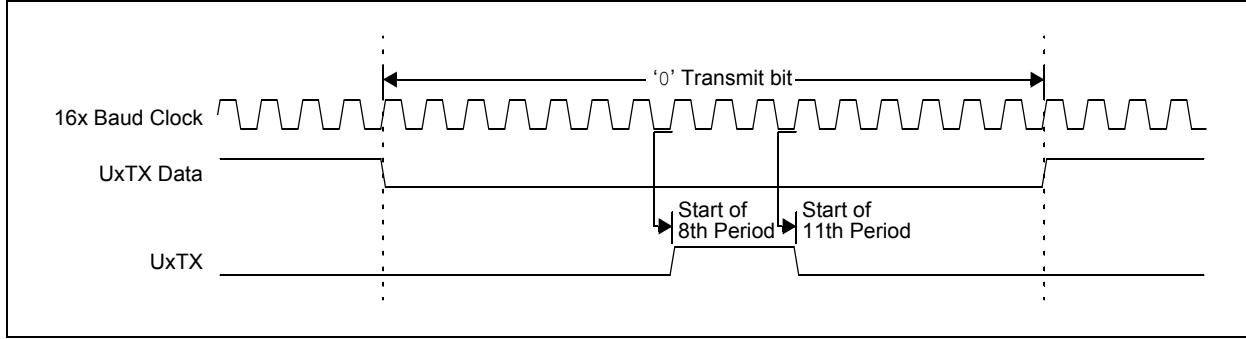


Figure 21-14: IrDA® Encode Scheme for '0' Bit Data with Respect to 16x Baud Clock



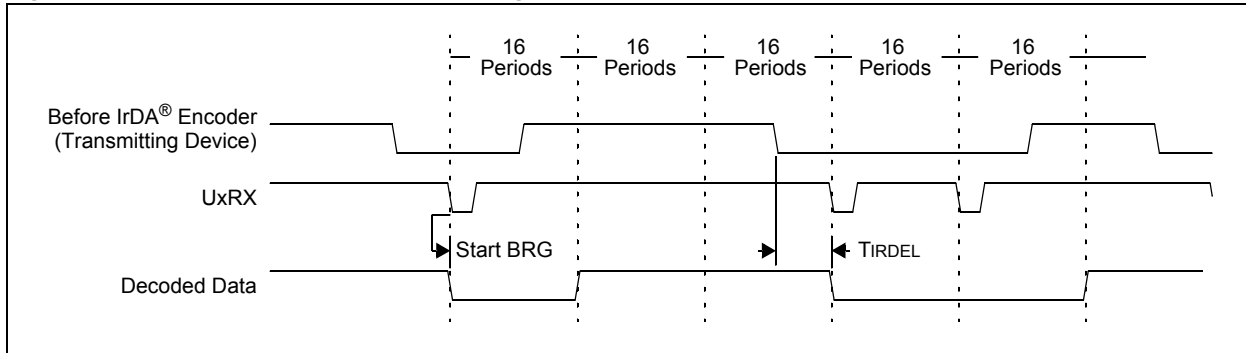
21.12.2.3 IRDA DECODER FUNCTION

The decoder works by taking the serial data from the UxRX pin and replacing it with the decoded data stream. The stream is decoded based on falling edge detection of the UxRX input.

Each falling edge of UxRX causes the decoded data to be driven low for 16 periods of the 16x baud clock. If, by the time the 16 periods expire, another falling edge is detected, the decoded data remains low for another 16 periods. If no falling edge is detected, the decoded data is driven high.

The data stream into the device is shifted anywhere from 7 to 8 periods of the 16x baud clock from the actual message source. The one clock uncertainty is due to the clock edge resolution (see [Figure 21-15](#) for details).

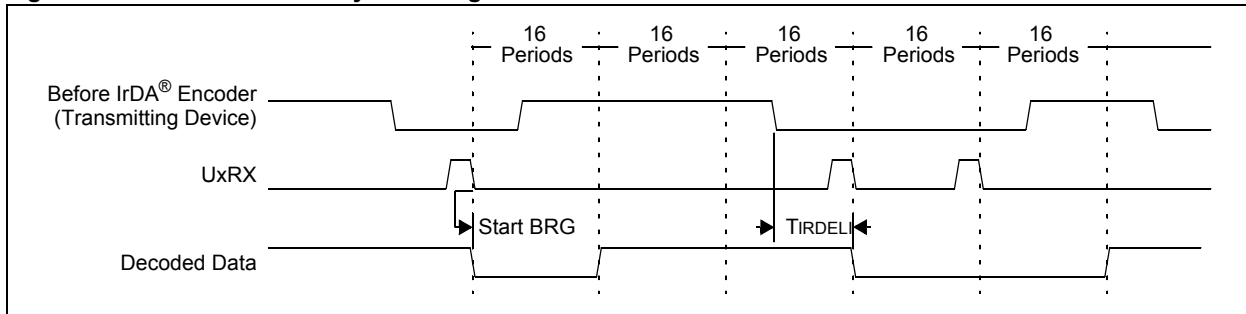
Figure 21-15: Macro View of IrDA® Decoding Scheme



21.12.2.4 IrDA RECEIVE POLARITY

The input of the IrDA signal can have an inverted polarity. The same logic is able to decode the signal train, but in this case, the decoded data stream is shifted from 10 to 11 periods of the 16x baud clock from the original message source. Again, the one clock uncertainty is due to the clock edge resolution (see [Figure 21-16](#) for details).

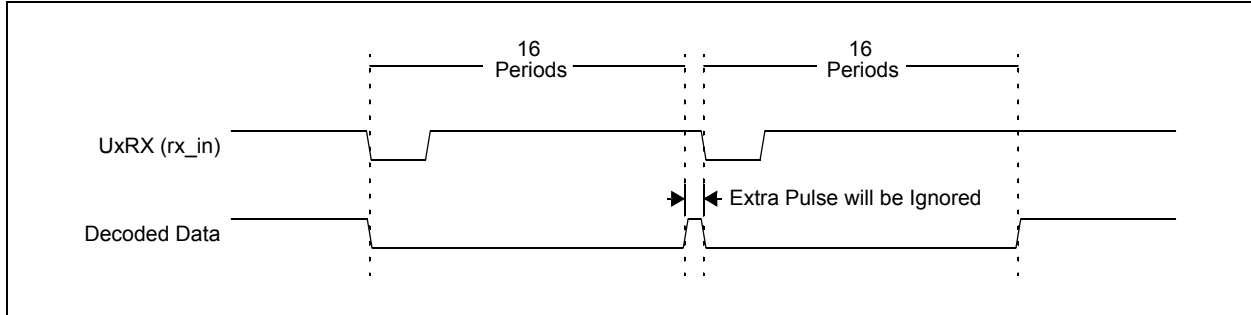
Figure 21-16: Inverted Polarity Decoding Results



21.12.2.5 CLOCK JITTER

Due to jitter, or slight frequency differences between devices, it is possible for the next falling bit edge to be missed for one of the 16x periods. In that case, a one clock-wide-pulse appears on the decoded data stream. Because, the UART performs a majority detect around the bit center, this does not cause erroneous data (see [Figure 21-17](#) for details).

Figure 21-17: Clock Jitter Causing a Pulse Between Consecutive Zeros



21.13 INTERRUPTS

The UART can generate interrupts reflecting the events that occur during the data communication. The following interrupts can be generated:

- Receiver-data-available interrupt, signalled by UxRXIF. This event occurs based on the URXISEL<1:0> control bits (UxSTA<7:6>). Refer to [21.6.3 “Receive Interrupt”](#) for details.
- Transmitter buffer-empty interrupt, signalled by UxTXIF. This event occurs based on the UTXISEL<1:0> control bits (UxSTA<15:14>). Refer to [21.5.2 “Transmit Interrupt”](#) for details.
- UART-error interrupt, signalled by UxEIF.
 - This event occurs when any of the following error conditions take place:
 - Parity error PERR (UxSTA<3>) is detected
 - Framing Error FERR (UxSTA<2>) is detected
 - Overflow condition for the receive buffer OERR (UxSTA<1>) occurs

All these interrupt flags must be cleared in software. Refer to [21.5.2 “Transmit Interrupt”](#) and [21.6.3 “Receive Interrupt”](#) for more information.

A UART device is enabled as a source of interrupts through the following respective UART interrupt enable bits:

- UxRXIE
- UxTXIE
- UxEIE

The interrupt priority-level bits and interrupt subpriority-level bits must be configured:

- UxIP (IPC6<4:2>) and UxIS (IPC6<1:0>)

Refer to [Section 8. “Interrupts”](#) (DS61108) for details about priority and subpriority bits.

21.14 I/O PIN CONTROL

When enabling the UART module by setting the ON bit (UxMODE<15>), the UTXEN bit (UxSTA<10>), and the URXEN bit (UxSTA<12>), the UART module will control the I/O pins as defined by the UEN<1:0> bits (UxMODE<9:8>), overriding the port TRIS and LATCH register bit settings.

UxTX is forced as an output and UxRX as an input. Additionally, if \overline{UxCTS} and \overline{UxRTS} are enabled, the \overline{UxCTS} pin is forced as an input and the $\overline{UxRTS/BLCKx}$ pin functions as \overline{UxRTS} output. If BLCKx is enabled, then the $\overline{UxRTS/BLCKx}$ output drives the 16x baud clock output.

21.15 UART OPERATION IN POWER-SAVING AND DEBUG MODES

21.15.1 Operation in Sleep Mode

When the device enters Sleep mode, the system clock is disabled. The UART does not function in Sleep mode. If entry into Sleep mode occurs while a transmission is in progress, the transmission is aborted and the UxTX pin is driven to logic '1'. Similarly, if entry into Sleep mode occurs while a reception is in progress, the reception is aborted. The RTS and BCLK pins are driven to '0'.

Optionally, the UART module can be used to wake the PIC32MX device from Sleep mode on the detection of a Start bit. If the WAKE bit (UxMODE<7>) is set before the device enters Sleep mode and the UART receive interrupt is enabled (UxRXIE = 1), a falling edge on the UxRX pin generates a receive interrupt and the device wakes up. The Receive Interrupt Mode Selection bit (RXISEL) has no effect on this function. The ON bit (UxMODE<15>) must be set to generate a wake-up interrupt.

Note: In Sleep mode, a falling edge on the UART receive pin generates a UART receive interrupt resulting the device wake from the Sleep mode. The transmission right after waking up from the Sleep mode will not be properly received. User should ignore the dummy byte in the first UART receive interrupt.

21.15.2 Operation in Idle Mode

When the device enters Idle mode, the system clock sources remain functional and the CPU stops executing code. The SIDL bit (UxMODE<13>) selects whether the UART module stops operation or continues normal operation when the device enters Idle mode.

- If SIDL = 1, the module stops operation in Idle mode. The module performs the same procedures when stopped in Idle mode (SIDL = 1) as it does for Sleep mode.
- If SIDL = 0, the module continues operation in Idle mode.

21.15.3 Operation in Debug Mode

The FRZ bit (UxMODE<14>) determines whether the UART module runs or stops while the CPU is executing Debug Exception code (that is, the application is halted) in Debug mode.

Specifically, The FRZ bit affects operation in the following manner:

- If FRZ = 1, the module freezes its operations and make no changes to the state of the UART module when the application is halted in Debug mode. The module resumes its operation after the application resumes execution.
- If FRZ = 0, the module continues to run even when the application is halted in Debug mode.

Note: The FRZ bit is readable and writable only when the CPU is executing in Debug Exception mode. In all other modes, the FRZ bit reads as '0'. If FRZ bit is changed during Debug mode, the new value does not take effect until the current Debug Exception mode is exited and re-entered. During the Debug Exception mode, the FRZ bit reads the peripheral state when entering Debug mode.

21.15.4 Auto-Wake-up on Sync Break Character

The auto-wake-up feature is enabled using the WAKE bit (UxMODE<7>). When WAKE is active, the typical receive sequence on UxRX is disabled. Following the wake-up event, the module generates the UxRXIF interrupt. The LPBACK bit (UxMODE<6>) must be equal to '0' for wake-up to operate.

A wake-up event consists of a high-to-low transition on the UxRX line. This coincides with the start of a Sync Break or a Wake-up Signal character for the LIN protocol. When WAKE is active, the UxRX line is monitored independently from the CPU mode. The UxRXIF interrupt is generated synchronously to the Pb clocks in Normal User mode, and asynchronously, if the module is disabled due to Sleep or Sleep mode. To ensure that no actual data is lost, the WAKE bit should be set prior to entering the Sleep mode and while the UART module is in Idle mode.

The WAKE bit is automatically cleared after a low-to-high transition is observed on the UxRX line following the wake-up event. At this point, the UART module is in Idle mode and is returned to normal operation. This signals to the user that the Sync Break event is over. If the user application clears the WAKE bit prior to sequence completion, unexpected module behavior may result.

The wake-up event causes a receive interrupt by setting the UxRXIF bit. The Receive Interrupt Select mode bits, URXISEL<1:0> (UxSTA<7:6>), are ignored for this function. If the UxRXIF interrupt is enabled, it wakes up the device.

Note: The Sync Break (or Wake-up Signal) character must be of sufficient length to allow time for the selected oscillator to start and provide proper initialization of the UART. To ensure that the part woke up in time, the user should read the value of the WAKE bit. If it is clear, it is possible that the UART was not ready in time to receive the next character and the module might need to be resynchronized to the bus.

Figure 21-18: Auto-Wake-up Bit (WAKE) Timings During Normal Operation

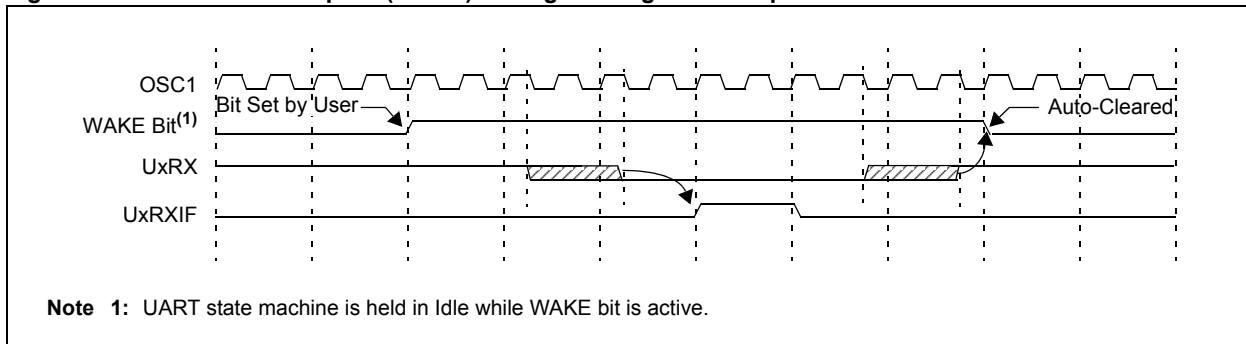
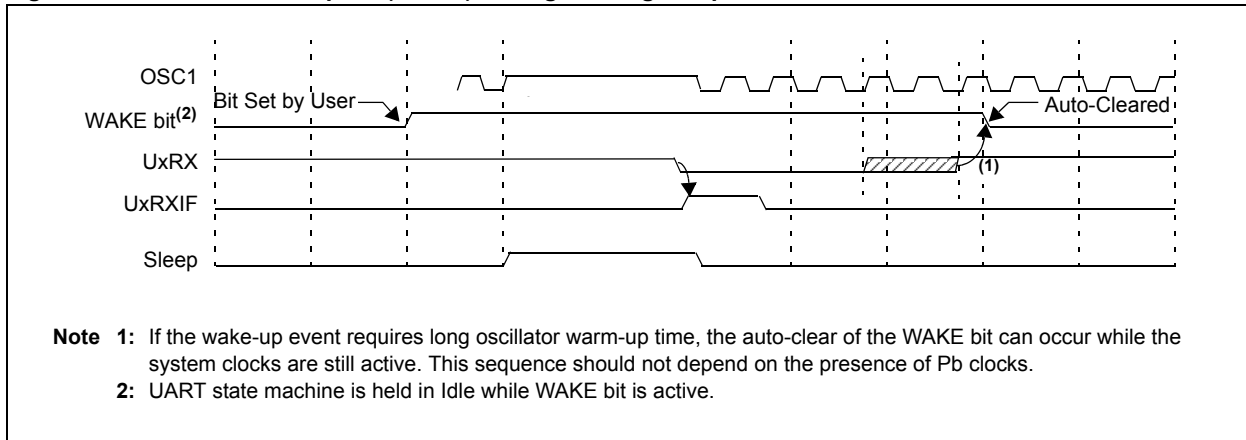


Figure 21-19: Auto-Wake-up Bit (WAKE) Timings During Sleep



21.16 EFFECTS OF VARIOUS RESETS

21.16.1 Device Reset

All UART registers are forced to their Reset states on a device Reset.

21.16.2 Power-on Reset

All UART registers are forced to their Reset states on a Power-on Reset (POR).

21.16.3 Watchdog Reset

All UART registers are unchanged on a Watchdog Reset.

21.17 DESIGN TIPS

Question 1: *The data I transmit with the UART is not received correctly. What could cause this?*

Answer: The most common reason for reception errors is that an incorrect value has been calculated for the UART BRG. Ensure the value written to the UxBRG register is correct.

Question 2: *I am getting framing errors even though the signal on the UART receive pin looks correct. What are the possible causes?*

Answer: Ensure the following control bits have been set up correctly:

- BRGH (UxBRG<15:0> Baud Rate Divisor bits
- PDSEL (UxMODE<1:0>) Parity and Data Selection bits
- STSEL (UxMODE<0>) Stop Selection bit

21.18 RELATED APPLICATION NOTES

This section lists application notes that are related to this section of the manual. These application notes may not be written specifically for the PIC32MX device family, but the concepts are pertinent and could be used with modification and possible limitations. The current application notes related to the UART module are:

Title	Application Note #
No related application notes are available.	N/A

Note: Please visit the Microchip web site (<http://www.microchip.com>) for additional Application Notes and code examples for the PIC32MX family of devices.

21.19 REVISION HISTORY

Revision A (August 2007)

This is the initial released version of this document.

Revision B (October 2007)

Updated document to remove Confidential status.

Revision C (April 2008)

Revised status to Preliminary; Revised U-0 to r-x; Revised Register 21-1 bit 10; Revised Table 21-1, IEC1; Revised Register 21-16, bit 25; Revised Register 21-18, bit 25; Revised bit names.

Revision D (June 2008)

Revised Section 21.1; Added Footnote number to Registers 21-15-21-20; Change Reserved bits from "Maintain as" to "Write"; Added Note to ON bit (UxMODE Register).

Revision E (November 2009)

This revision includes the following changes:

- Updated the UART module features in [21.1 "Introduction"](#) to clarify which UART modules are available for a specific feature
- Updated Note 1 in [Figure 21-1](#)
- Updated register introductions in [21.2 "Control Registers"](#)
- Changed all occurrences of UTXISEL0 to UTXISEL
- UART Register Summary ([Table 21-1](#))
 - Removed references to the IFS0, IFS1, IEC0, IEC1, IPC6 and IPC8 registers
 - Added the Address Offset column
 - Added Notes 1, 2 and 3, which describe the Clear, Set and Invert registers
 - Added Note 4 regarding bit availability
- Added Notes describing the Clear, Set, and Invert registers associated with the following registers:
 - UxMODE
 - UxSTA
 - UxBRG
- Updated Note 4 in the UxMODE: UART 'x' Mode Register ([Register 21-1](#))
- Updated Note 4 and the UTXISEL<1:0> and URXISEL<1:0> bit definitions in the UxSTA: UARTx Status and Control Register ([Register 21-2](#))
- Updated the shaded note in [21.3.2 "BCLKx Output"](#)
- Updated the paragraph in [21.4.1 "Enabling the UART"](#)
- Updated the second paragraph in [21.4.2 "Disabling the UART"](#)
- Updated the UART Transmitter Block Diagram ([Figure 21-3](#))
- Updated the third paragraph in [21.5 "UART Transmitter"](#)
- Updated the first paragraph and the shaded note in [21.5.1 "Transmit Buffer \(UxTXREG\)"](#)
- Removed the three step process and shaded note and added two new paragraphs in [21.5.2 "Transmit Interrupt"](#)
- Swapped steps 4 and 5, updated step 6, and removed the shaded note from [21.5.3 "Setup for UART Transmit"](#)
- Updated [21.5.4 "Transmission of Break Characters"](#)
- Added a new step 2 in [21.5.5 "Break and Sync Transmit Sequence"](#)
- Removed [Figure 21-4](#) and [Figure 21-5](#)
- Updated the first paragraph in [21.6 "UART Receiver"](#) and removed the second paragraph
- Updated the third and fourth paragraphs in [21.6.2 "Receiver Error Handling"](#)
- Added two new paragraphs after the first paragraph in [21.6.3 "Receive Interrupt"](#)
- Updated the UART Receiver Block Diagram ([Figure 21-5](#))

Revision E (November 2009) (Continued)

- Changed the title of **21.8 “Receiving Break Sequence”**, which was formerly “Received Break Characters”
- Updated Note 2 in the Loopback Mode Pin Function table ([Table 21-3](#))
- Updated the shaded note in **21.11 “Operation of UxCTS and UxRTS Control Pins”** and **21.12 “Infrared Support”**
- Removed Figure 21-8 and Figure 21-9
- Updated **21.13 “Interrupts”**
- Removed **21.13.1 “Interrupt Configuration”**
- Changed the title of **21.15.2 “Operation in Idle Mode”**, which was formerly “Operation in Sleep Mode” and corrected the erroneous references to Sleep mode, changing them to Idle mode
- Removed Table 21-5

Revision F (November 2010)

This revision includes the following changes:

- Updated Note 1 in [Figure 21-1](#)
- Updated Note 4 in [Table 21-1](#)
- Updated Note 4 in UxMODE: UARTx Mode Register ([Register 21-1](#))
- Updated the UTXISEL<1:0> and URXISEL<1:0> bits definitions in the UxSTA: UARTx Status and Control Register ([Register 21-2](#))
- Updated Note 4 in [Register 21-2](#)
- Updated the shaded note in **21.3.2 “BCLKx Output”**
- Updated Notes in [Figure 21-3](#)
- Updated shaded notes in **21.5.1 “Transmit Buffer (UxTXREG)”**
- Updated the third and fourth paragraphs in **21.5.2 “Transmit Interrupt”**
- Updated the second and third paragraphs in **21.6.3 “Receive Interrupt”**
- Updated Notes in [Figure 21-5](#)
- Updated Note 2 in Table 21-3
- Updated shaded notes in **21.11 “Operation of UxCTS and UxRTS Control Pins”** and **21.12 “Infrared Support”**
- Added a shaded note in **21.15.2 “Operation in Idle Mode”**
- Changes to the text and formatting have been incorporated throughout the document

NOTES:

Note the following details of the code protection feature on Microchip devices:

- Microchip products meet the specification contained in their particular Microchip Data Sheet.
- Microchip believes that its family of products is one of the most secure families of its kind on the market today, when used in the intended manner and under normal conditions.
- There are dishonest and possibly illegal methods used to breach the code protection feature. All of these methods, to our knowledge, require using the Microchip products in a manner outside the operating specifications contained in Microchip's Data Sheets. Most likely, the person doing so is engaged in theft of intellectual property.
- Microchip is willing to work with the customer who is concerned about the integrity of their code.
- Neither Microchip nor any other semiconductor manufacturer can guarantee the security of their code. Code protection does not mean that we are guaranteeing the product as “unbreakable.”

Code protection is constantly evolving. We at Microchip are committed to continuously improving the code protection features of our products. Attempts to break Microchip's code protection feature may be a violation of the Digital Millennium Copyright Act. If such acts allow unauthorized access to your software or other copyrighted work, you may have a right to sue for relief under that Act.

Information contained in this publication regarding device applications and the like is provided only for your convenience and may be superseded by updates. It is your responsibility to ensure that your application meets with your specifications. MICROCHIP MAKES NO REPRESENTATIONS OR WARRANTIES OF ANY KIND WHETHER EXPRESS OR IMPLIED, WRITTEN OR ORAL, STATUTORY OR OTHERWISE, RELATED TO THE INFORMATION, INCLUDING BUT NOT LIMITED TO ITS CONDITION, QUALITY, PERFORMANCE, MERCHANTABILITY OR FITNESS FOR PURPOSE. Microchip disclaims all liability arising from this information and its use. Use of Microchip devices in life support and/or safety applications is entirely at the buyer's risk, and the buyer agrees to defend, indemnify and hold harmless Microchip from any and all damages, claims, suits, or expenses resulting from such use. No licenses are conveyed, implicitly or otherwise, under any Microchip intellectual property rights.

Trademarks

The Microchip name and logo, the Microchip logo, dsPIC, KEELOQ, KEELOQ logo, MPLAB, PIC, PICmicro, PICSTART, PIC³² logo, rPIC and UNI/O are registered trademarks of Microchip Technology Incorporated in the U.S.A. and other countries.


FilterLab, Hampshire, HI-TECH C, Linear Active Thermistor, MXDEV, MXLAB, SEEVAL and The Embedded Control Solutions Company are registered trademarks of Microchip Technology Incorporated in the U.S.A.

Analog-for-the-Digital Age, Application Maestro, CodeGuard, dsPICDEM, dsPICDEM.net, dsPICworks, dsSPEAK, ECAN, ECONOMONITOR, FanSense, HI-TIDE, In-Circuit Serial Programming, ICSP, Mindi, MiWi, MPASM, MPLAB Certified logo, MPLIB, MPLINK, mTouch, Octopus, Omniscient Code Generation, PICC, PICC-18, PICDEM, PICDEM.net, PICkit, PICTail, REAL ICE, rLAB, Select Mode, Total Endurance, TSHARC, UniWinDriver, WiperLock and ZENA are trademarks of Microchip Technology Incorporated in the U.S.A. and other countries.

SQTP is a service mark of Microchip Technology Incorporated in the U.S.A.

All other trademarks mentioned herein are property of their respective companies.

© 2010, Microchip Technology Incorporated, Printed in the U.S.A., All Rights Reserved.

 Printed on recycled paper.

ISBN: 978-1-60932-581-7

Microchip received ISO/TS-16949:2002 certification for its worldwide headquarters, design and wafer fabrication facilities in Chandler and Tempe, Arizona; Gresham, Oregon and design centers in California and India. The Company's quality system processes and procedures are for its PIC[®] MCUs and dsPIC[®] DSCs, KEELOQ[®] code hopping devices, Serial EEPROMs, microperipherals, nonvolatile memory and analog products. In addition, Microchip's quality system for the design and manufacture of development systems is ISO 9001:2000 certified.

**QUALITY MANAGEMENT SYSTEM
CERTIFIED BY DNV
== ISO/TS 16949:2002 ==**



MICROCHIP

Worldwide Sales and Service

AMERICAS

Corporate Office
2355 West Chandler Blvd.
Chandler, AZ 85224-6199
Tel: 480-792-7200
Fax: 480-792-7277
Technical Support:
<http://support.microchip.com>
Web Address:
www.microchip.com

Atlanta
Duluth, GA
Tel: 678-957-9614
Fax: 678-957-1455

Boston
Westborough, MA
Tel: 774-760-0087
Fax: 774-760-0088

Chicago
Itasca, IL
Tel: 630-285-0071
Fax: 630-285-0075

Cleveland
Independence, OH
Tel: 216-447-0464
Fax: 216-447-0643

Dallas
Addison, TX
Tel: 972-818-7423
Fax: 972-818-2924

Detroit
Farmington Hills, MI
Tel: 248-538-2250
Fax: 248-538-2260

Kokomo
Kokomo, IN
Tel: 765-864-8360
Fax: 765-864-8387

Los Angeles
Mission Viejo, CA
Tel: 949-462-9523
Fax: 949-462-9608

Santa Clara
Santa Clara, CA
Tel: 408-961-6444
Fax: 408-961-6445

Toronto
Mississauga, Ontario,
Canada
Tel: 905-673-0699
Fax: 905-673-6509

ASIA/PACIFIC

Asia Pacific Office
Suites 3707-14, 37th Floor
Tower 6, The Gateway
Harbour City, Kowloon
Hong Kong
Tel: 852-2401-1200
Fax: 852-2401-3431

Australia - Sydney
Tel: 61-2-9868-6733
Fax: 61-2-9868-6755

China - Beijing
Tel: 86-10-8528-2100
Fax: 86-10-8528-2104

China - Chengdu
Tel: 86-28-8665-5511
Fax: 86-28-8665-7889

China - Chongqing
Tel: 86-23-8980-9588
Fax: 86-23-8980-9500

China - Hong Kong SAR
Tel: 852-2401-1200
Fax: 852-2401-3431

China - Nanjing
Tel: 86-25-8473-2460
Fax: 86-25-8473-2470

China - Qingdao
Tel: 86-532-8502-7355
Fax: 86-532-8502-7205

China - Shanghai
Tel: 86-21-5407-5533
Fax: 86-21-5407-5066

China - Shenyang
Tel: 86-24-2334-2829
Fax: 86-24-2334-2393

China - Shenzhen
Tel: 86-755-8203-2660
Fax: 86-755-8203-1760

China - Wuhan
Tel: 86-27-5980-5300
Fax: 86-27-5980-5118

China - Xian
Tel: 86-29-8833-7252
Fax: 86-29-8833-7256

China - Xiamen
Tel: 86-592-2388138
Fax: 86-592-2388130

China - Zhuhai
Tel: 86-756-3210040
Fax: 86-756-3210049

ASIA/PACIFIC

India - Bangalore
Tel: 91-80-3090-4444
Fax: 91-80-3090-4123

India - New Delhi
Tel: 91-11-4160-8631
Fax: 91-11-4160-8632

India - Pune
Tel: 91-20-2566-1512
Fax: 91-20-2566-1513

Japan - Yokohama
Tel: 81-45-471- 6166
Fax: 81-45-471-6122

Korea - Daegu
Tel: 82-53-744-4301
Fax: 82-53-744-4302

Korea - Seoul
Tel: 82-2-554-7200
Fax: 82-2-558-5932 or
82-2-558-5934

Malaysia - Kuala Lumpur
Tel: 60-3-6201-9857
Fax: 60-3-6201-9859

Malaysia - Penang
Tel: 60-4-227-8870
Fax: 60-4-227-4068

Philippines - Manila
Tel: 63-2-634-9065
Fax: 63-2-634-9069

Singapore
Tel: 65-6334-8870
Fax: 65-6334-8850

Taiwan - Hsin Chu
Tel: 886-3-6578-300
Fax: 886-3-6578-370

Taiwan - Kaohsiung
Tel: 886-7-213-7830
Fax: 886-7-330-9305

Taiwan - Taipei
Tel: 886-2-2500-6610
Fax: 886-2-2508-0102

Thailand - Bangkok
Tel: 66-2-694-1351
Fax: 66-2-694-1350

EUROPE

Austria - Wels
Tel: 43-7242-2244-39
Fax: 43-7242-2244-393

Denmark - Copenhagen
Tel: 45-4450-2828
Fax: 45-4485-2829

France - Paris
Tel: 33-1-69-53-63-20
Fax: 33-1-69-30-90-79

Germany - Munich
Tel: 49-89-627-144-0
Fax: 49-89-627-144-44

Italy - Milan
Tel: 39-0331-742611
Fax: 39-0331-466781

Netherlands - Drunen
Tel: 31-416-690399
Fax: 31-416-690340

Spain - Madrid
Tel: 34-91-708-08-90
Fax: 34-91-708-08-91

UK - Wokingham
Tel: 44-118-921-5869
Fax: 44-118-921-5820

08/04/10